



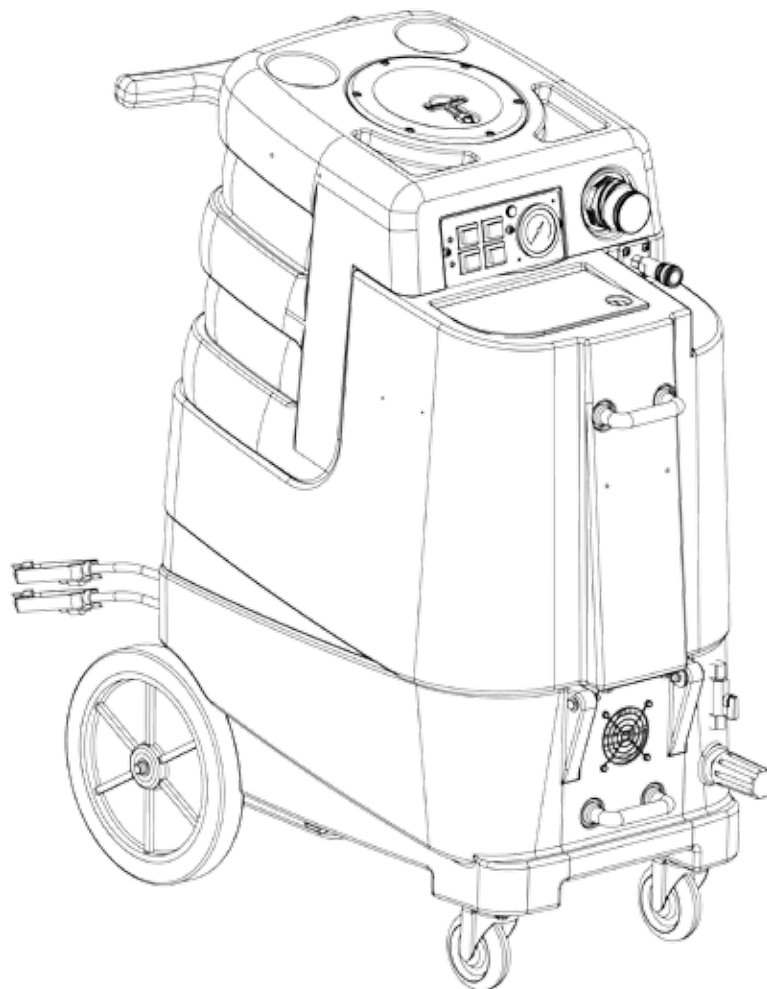
Instructions for M-3, M-5, M-12 & M-16 M-Series™



Please read before use.



Register your product
at www.mytee.com/help



M-3 p.2
M-5 p.8
M-12 p.14
M-16 p.21
General information p.27

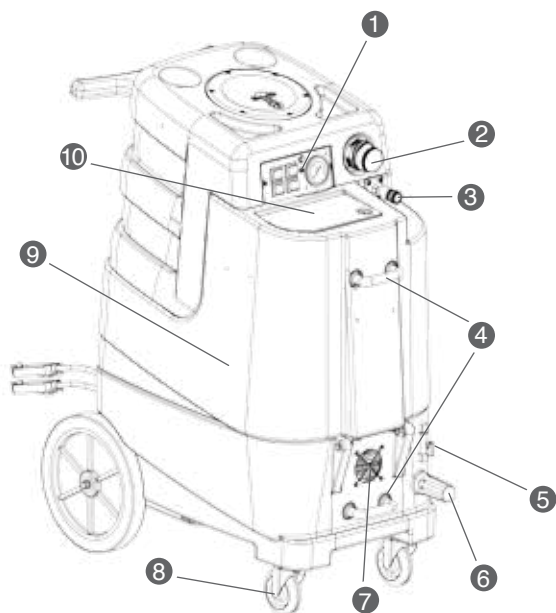
Model # _____

Serial # _____

Form # ADM-MSeries

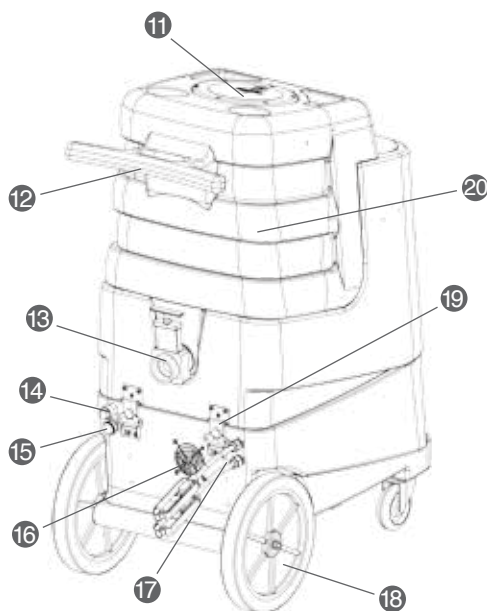
1-12

M-3 FRONT



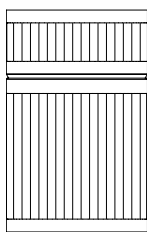
- | | |
|---------------------------------|-------------------------|
| 1. Switch plate | 6. Pressure regulator |
| 2. 2" Male Cuff-Lynx™ | 7. Front cooling fan |
| 3. Female quick disconnect (QD) | 8. 4" locking casters |
| 4. Front handles | 9. Solution tank |
| 5. Prime valve | 10. Solution tank cover |

M-3 BACK

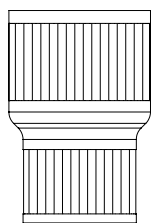


- | | |
|-----------------------|----------------------|
| 11. Recovery tank lid | 16. Rear cooling fan |
| 12. Push handle | 17. Dual power cords |
| 13. Drain valve | 18. 12" rear wheels |
| 14. Auto-fill | 19. Latches (x2) |
| 15. Auto pump-out | 20. Recovery tank |

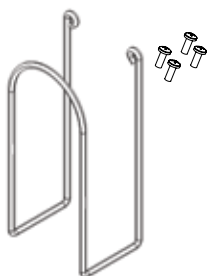
M-3 ITEMS INCLUDED



H110 Cuff-Lynx™
2" Hose Adapter



H141 Cuff-Lynx™
2" Hose Reducer to 1.5"



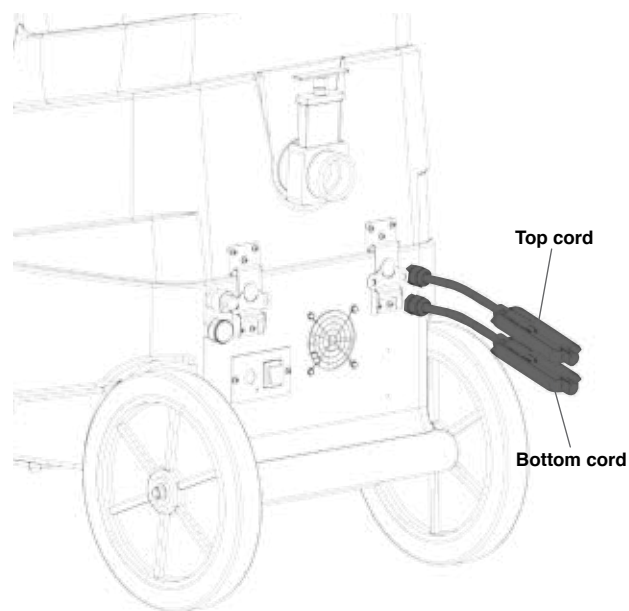
H375 Hose Hanger
(4) screws



H226 Drain Elbow

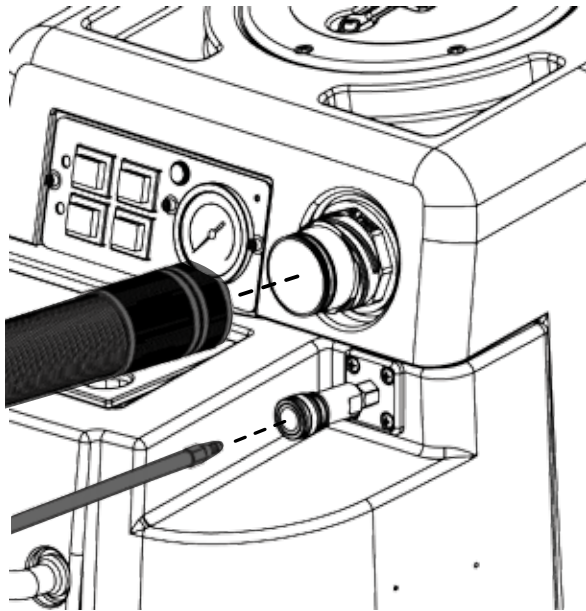
M-3 DUAL CORDS

Top cord: Plug into power Vac 1, Pump & Heater 1.
Bottom cord: Plug into power Vac 2, Pump-out & Heater 2.



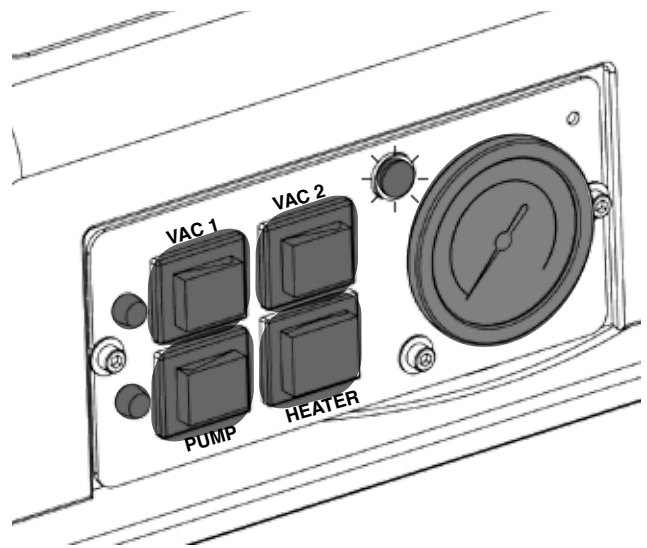
Plug each of the two power cords into two separate, 20A grounded wall outlets. The amber light indicator on the switch plate will illuminate when cords are plugged into two separate circuits.

M-3 VAC/SOL HOSE CONNECTIONS



Before turning on switches, connect hoses to the extractor and a wand or tool. Attach a solution hose to the front QD, the other end to the tool. Attach a vacuum hose to the tool, the other to the front Cuff-Lynx™ vacuum hose port. Just twist into place.

M-3 SWITCHES & PRESSURE GAUGE



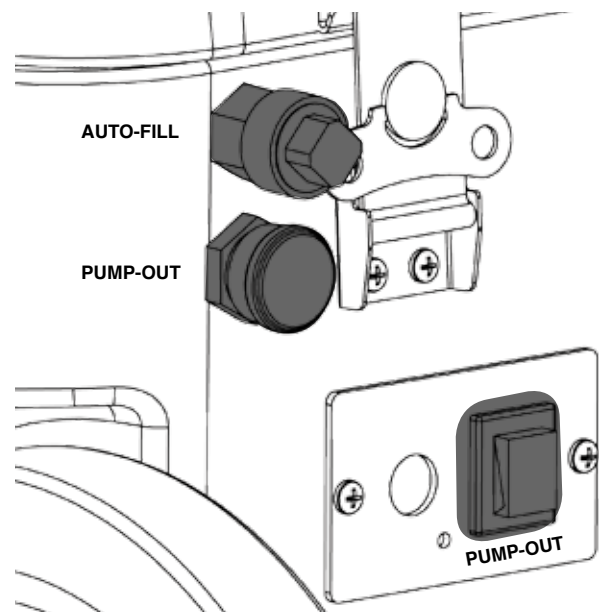
Switches and Pressure Gauge are located on the plate in front of the machine. The Amber light left of the Pressure Gauge will illuminate when cords are plugged into two separate circuits. To use vacuums, turn on Vac 1 and Vac 2 switches. To use Pump, turn on Pump switch. Heater switch has three positions: Off (middle); 1,000 watts using one heater (left); and 2,000 using two heaters (right). Red lights on panel display indicate watts selected: one light = 1,000 watts; two lights = 2,000 watts; no lights = heater is off.

M-3 FILL SOLUTION TANK



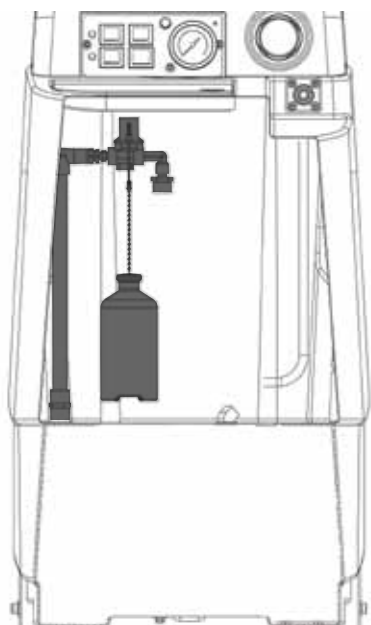
If not using the Auto-fill feature, lift the solution tank lid and manually fill the tank.

M-3 AUTO-FILL & PUMP-OUT



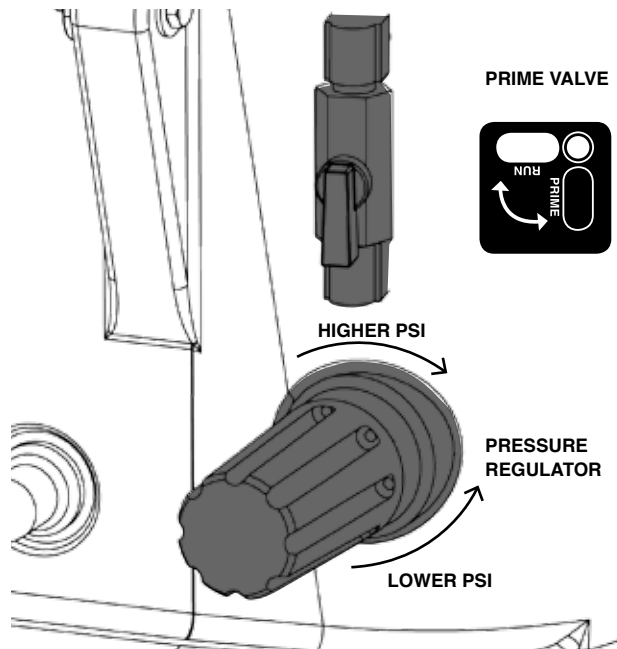
If using Auto-fill and Pump-out, connect one end of a 1/2 inch garden hose to the top hose inlet in back of the machine, the other end to a faucet. Add water pressure by turning on faucet. Attach a second 1/2 inch garden hose to the bottom hose inlet, and place the other end in a location where dirty water can drain. Turn on Pump-out switch. When job is complete, turn off Pump-out switch.

M-3 AUTO-FILL & FLOAT



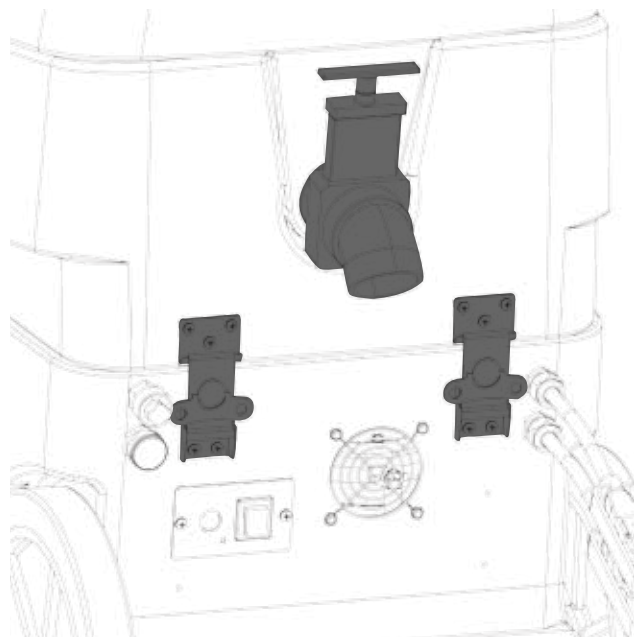
After attaching a garden hose to the Auto-fill inlet, water will fill the tank to a predetermined level until stopped by the float. As water is used and the level drops, water will once again enter the tank, and be stopped again by the float when maximum level is reached. With each new job, check to make sure float stops water after the first fill.

M-3 PRIME VALVE & PRESSURE REGULATOR



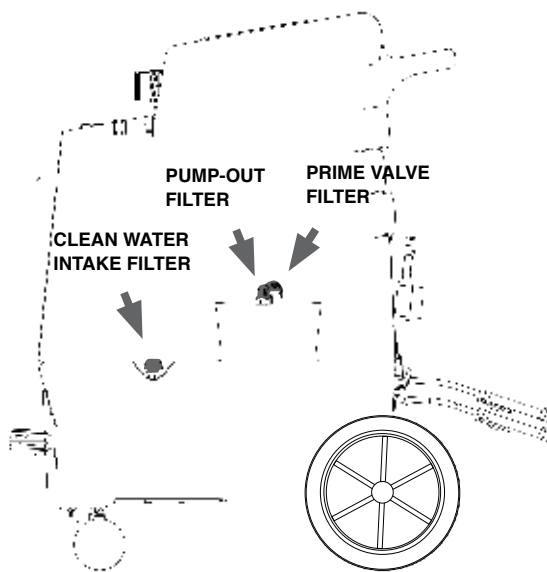
Prime the pump by turning the valve to the Prime position for 30 seconds, then turn horizontally to the Run position. Turn the Pressure Regulator to the left to decrease the water pressure. Turn the pressure regulator to the right to increase the water pressure. Monitor pressure while adjusting, using Pressure Gauge on Switch Panel.

M-3 DRAIN VALVE & LATCHES



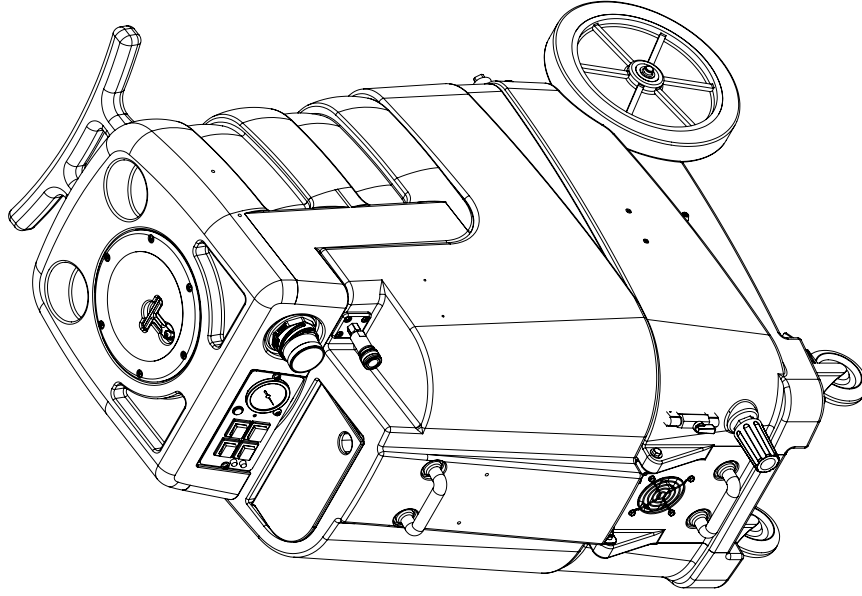
You can drain the recovery tank by using the Drain Valve. When not using the Auto Pump-out, you can drain the recovery tank by using the Drain Valve. When the tank is full, an internal ball float will automatically shut off the vacuum. Attach the 45° drain elbow to the drain spout, and lift up the Drain Valve to empty the tank. Latches are located in the back to open tank for internal repairs.

M-3 FILTER MAINTENANCE



To clean the internal filters, lift solution lid and/or remove recovery tank lid, reach in and twist off. Rinse with clean water and replace.

M-3 M-SERIES™ PARTS & PRICING



ITEM NO.	PART NO.	DESCRIPTION	QTY.	MSRP
71	E573	screw, #6x3/16, phi pan head, self-tapping	2	\$16.49 ea
72	H274	Thermostat, 200° Auto, 1/4"	2	\$0.99 ea
73	E574	screw, #6x3/16, phi pan head, self-tapping	2	\$0.99 ea
74	AH184	Thermostat, 310°F ± 10°F, Manual, 1/4"	2	\$17.99 ea
75	AH156	hose, 3/8" x 1/4" 1/2" (OAL), f	1	\$23.99 ea
76	B207	hose, 3/8" x 6.5" (OAL), f, sw, 5400 Gray	1	\$23.99 ea
77	H528	elbow, brass, 90 deg, 1/4" fpt x 1/4" fpt	1	\$5.99 ea
78	H528	bracket, heater mounting, dual	1	\$29.99 ea
78	B235	adapter, brass, 3/8" barb x 1/4" fsw	2	\$7.99 ea
80	H347	clomp. hose, 5/16-29/32	24	\$1.99 ea
80	PH175-28	sol hose, kuriyama, 3/8"	1	\$7.99/ft
81	AH103	hose, 3/8" x 10' (OAL), f, x f	1	\$30.49 ea
82	B136	elbow, brass, 90 deg, 1/4" mpt x 1/4" mpt	1	\$4.99 ea
83	B107	nipple, brass, 1/4" m, hex	3	\$13.49 ea
84	B656	ball valve, 1/4"	3	\$1.99 ea
85	B246	plug, brass, 3/8" mpt, hex	3	\$1.99 ea
86	AH108	sol hose, 1/4" x 24 1/2" (OAL)	1	\$39.99 ea
87	C313	pump, 300 psi, 115v	1	\$385.99 ea
88	B160	adapter, brass, 1/2" barb x 3/8" fsw, ball end	2	\$3.49 ea
89	PH1615-21	sol hose, 1/2", kuri 100 psi	1	\$8.99/ft
90	B644	adapter, brass, 1/2" barb x 1/4" mpt	2	\$2.49 ea
91	C313C	regulator, 450 psi, silver spring	1	\$86.99 ea
92	B652	elbow, brass, 90 deg, 3/8" mpt x 1/4" mpt	1	\$8.49 ea
93	PH1615-24	sol hose, 1/2", kuri 100 psi	1	\$8.99/ft
94	B172	elbow, brass, 90 deg, 1/2" barb x 3/8" mpt	2	\$9.49 ea
95	B242	tee, brass, 3/8" fpt, 3/8" mpt x 3/8" fpt	1	\$13.99 ea
96	PH1610	sol hose, black, low pressure, 1/2"	1	\$5.99/ft
97	E550	power cord, pigtail, 30', 12/3, black	2	\$11.49 ea
98	H220	nut, lock, 1/2" steel	2	\$1.99 ea
99	H221	latch, front breeze	2	\$13.99 ea
100	H486	nut, keep, #10-32 zinc	13	\$0.99 ea
101	H273	screw, #10-32 x 3/4" phi pan head, zinc	1	\$0.99 ea
102	H256	plate, switch, spotter	1	\$5.99 ea
103	H410	plug, brass, 3/4", garden hose	1	\$3.99 ea
104	B221	filter, 60 mesh, garden hose	1	\$1.99 ea
106	B642	swivel, brass, 3/4" fpt x 1/2" fpt	1	\$5.49 ea
107	B120	cap, brass, 3/4", garden hose	1	\$1.49 ea
108	B196	filling, brass, 3/4" mpt x 1/2" fpt	1	\$5.99 ea
109	H286	guard, cooling fan, wire	2	\$2.99 ea
110	H219	cap, ome, 1/2"	2	\$0.99 ea
111	H251	washer, axle, cut 1/2" id	3	\$41.99 ea
112	H252	axle, 19.25" x .50"	1	\$9.99 ea
113	H282	base, m series	1	\$196.99 ea
114	H707	bracket, front hinge, sp/fb	1	\$8.99 ea
115	H378	bolt, 1/4-20 x 1 3/4" hex head, s/s	2	\$0.99
116	H378	bolt, 1/4-20 x 1 1/2" hex head, zinc	2	\$0.99 ea
117	H201	coater, 4", black hub & gray head	2	\$19.49 ea
118	H668	bolt, 1/4-20 x 1" hex head, s/s	8	\$0.99
119	H342	elbow, brass, 90 deg, 1/2" barb x 3/8" fpt	1	\$14.49 ea
120	B236	sol hose, 1/2", kuri 100psi	1	\$0.99 ea
121	PH1615-37	pump out, 115v	1	\$187.49 ea
122	C381	sol hose, 1/2", black, 200 psi 200 degree max	1	\$8.99/ft
123	PH1615-17	screw, 10-32 x 3/4", phi full thread, black oxide	4	\$0.99 ea
124	H186	adapter, brass, 1/2" barb x 1/2" mpt	1	\$9.49 ea
125	B132		1	\$9.49 ea

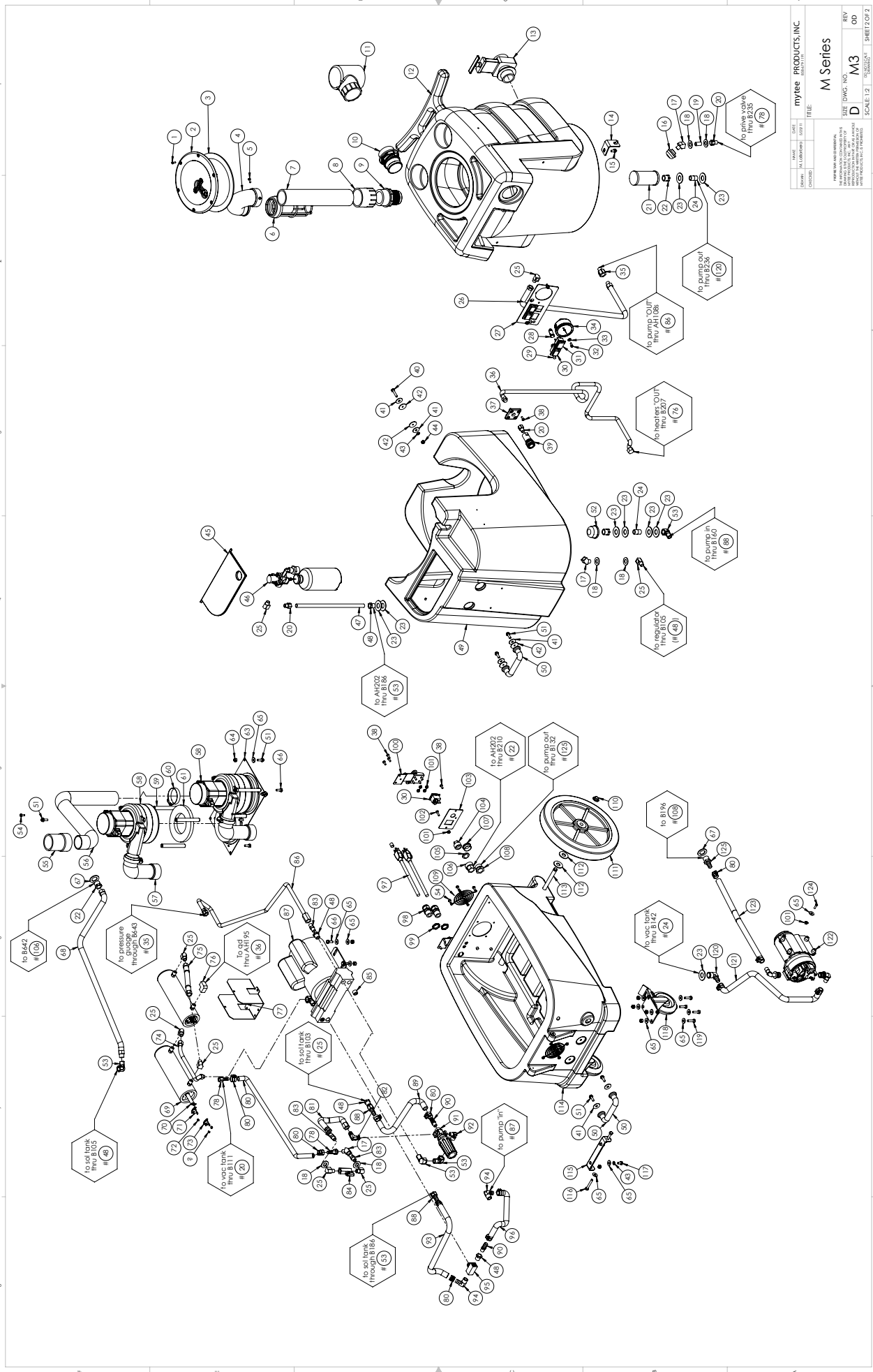
ITEMS NOT SHOWN

PART NO.	DESCRIPTION	QTY.	MSRP
G010	filter, bag, vac tank, draw fitting	1	\$9.99 ea
E564	controller, circuit light	1	\$62.49 ea
G085	gasket, strip, 3/4" x 3/8" x 1/8"	2	\$4.99 ea
H375	hanger, wire formed, hose	1	\$10.99 ea
H226	spout, diam, 45 degree	1	\$3.19 ea

Order parts at: <http://www.mytee.com/products/product.php?id=M-3>

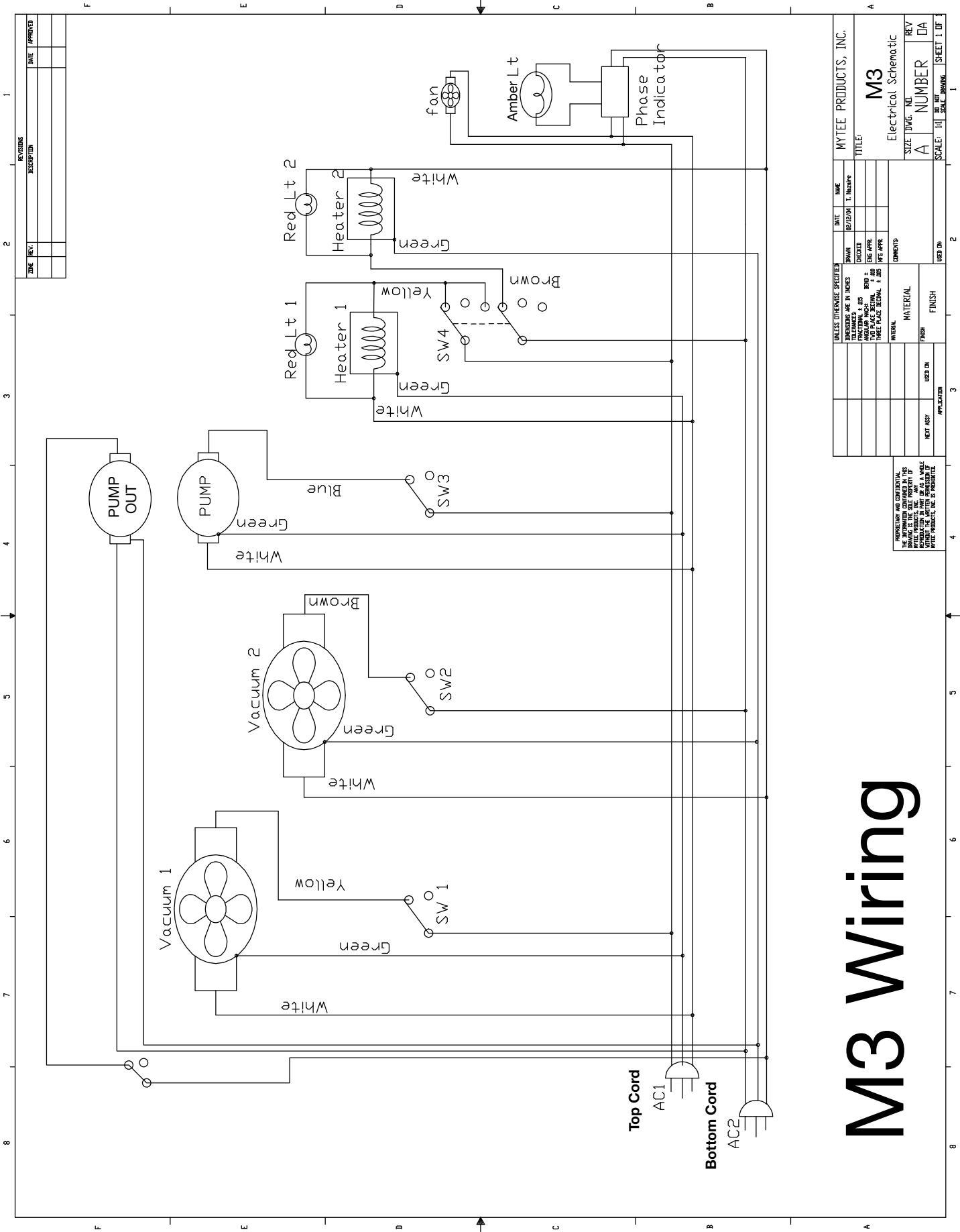
Part prices are subject to change.

M-3 M-SERIES™ PARTS & PRICING



DATE	REV	SCALE	mytee PRODUCTS, INC.
DESCRIPTION	INDUSTRY	FILE	
DESIGNED BY	DRAWN BY	CHECKED BY	
<p>PLEASE REFER TO DRAWING FOR PARTS IDENTIFICATION. THIS DRAWING IS THE PROPERTY OF mytee PRODUCTS, INC. AND IS NOT TO BE REPRODUCED OR TRANSMITTED IN ANY FORM OR BY ANY MEANS, ELECTRONIC OR MECHANICAL, INCLUDING PHOTOCOPYING, RECORDING, OR BY ANY INFORMATION STORAGE AND RETRIEVAL SYSTEM.</p>			
<p>M Series</p>		<p>SIZE DWG. NO. M3</p>	<p>REV. NO. 00</p>
<p>SCALE: 1:2</p>		<p>TOTAL SHEETS: 1</p>	<p>SHEET NO. 2</p>

M-3 M-SERIES™ WIRING DIAGRAM



REV	DATE	DESCRIPTION

DATE	TIME	NAME

UNLESS OTHERWISE SPECIFIED:
 DIMENSIONS ARE IN INCHES
 FRACTIONS ARE IN 16ths
 DECIMALS ARE IN 10ths
 DIMENSIONS TO FACE UNLESS NOTED OTHERWISE
 DIMENSIONS TO CENTERLINE UNLESS NOTED OTHERWISE
 DIMENSIONS TO SURFACE UNLESS NOTED OTHERWISE

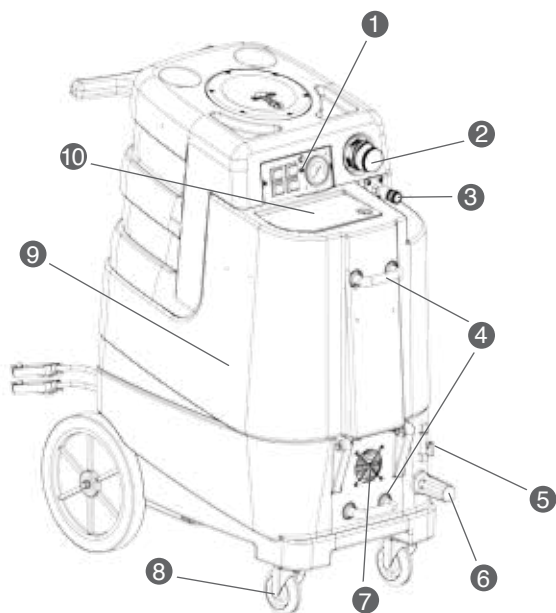
DATE	TIME	NAME

UNLESS OTHERWISE SPECIFIED:
 DIMENSIONS ARE IN INCHES
 FRACTIONS ARE IN 16ths
 DECIMALS ARE IN 10ths
 DIMENSIONS TO FACE UNLESS NOTED OTHERWISE
 DIMENSIONS TO CENTERLINE UNLESS NOTED OTHERWISE
 DIMENSIONS TO SURFACE UNLESS NOTED OTHERWISE

M3 Wiring

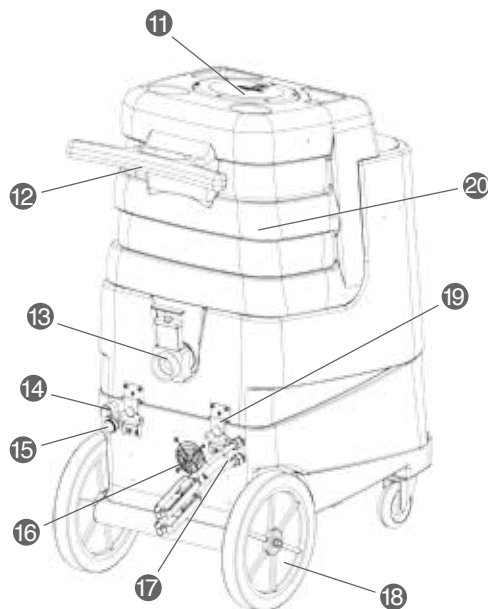
MYTEE PRODUCTS, INC.
 TITLE: M3
 Electrical Schematic
 SIZE DWG: N/A
 NUMBER: A
 REV: DA
 DATE:

M-5 FRONT



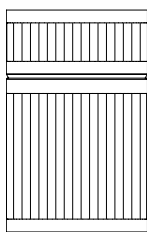
- | | |
|---------------------------------|-------------------------|
| 1. Switch plate | 6. Pressure regulator |
| 2. 2" Male Cuff-Lynx™ | 7. Front cooling fan |
| 3. Female quick disconnect (QD) | 8. 4" locking casters |
| 4. Front handles | 9. Solution tank |
| 5. Prime valve | 10. Solution tank cover |

M-5 BACK

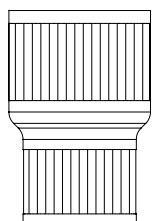


- | | |
|-----------------------|----------------------|
| 11. Recovery tank lid | 16. Rear cooling fan |
| 12. Push handle | 17. Dual power cords |
| 13. Drain valve | 18. 12" rear wheels |
| 14. Auto-fill | 19. Latches (x2) |
| 15. Auto pump-out | 20. Recovery tank |

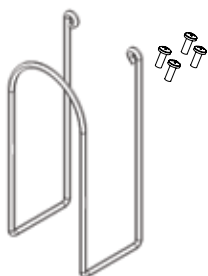
M-5 ITEMS INCLUDED



H110 Cuff-Lynx™
2" Hose Adapter



H141 Cuff-Lynx™
2" Hose Reducer to 1.5"



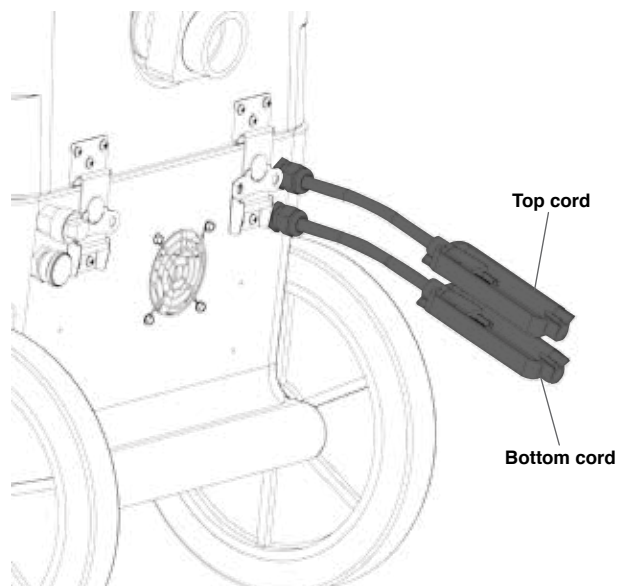
H375 Hose Hanger
(4) screws



H226 Drain Elbow

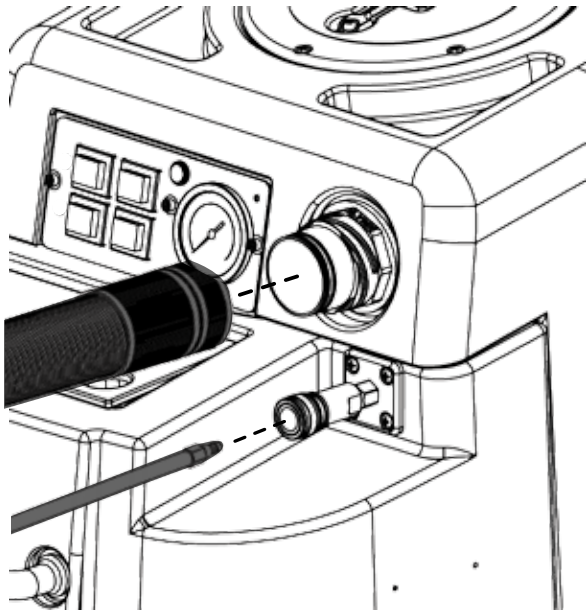
M-5 DUAL CORDS

Top cord: Plug into power Vac 1 & Pump.
Bottom cord: Plug into power Vac 2 & Pump-out.



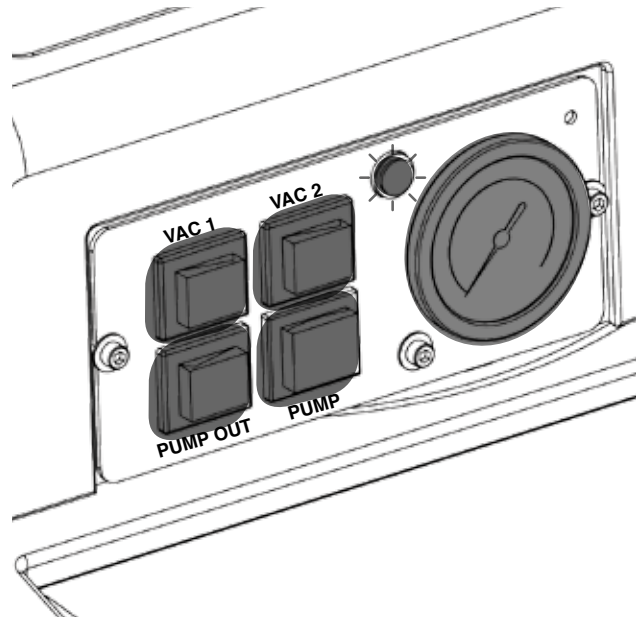
Plug each of the two power cords into two separate, 20A grounded wall outlets. The amber light indicator on the switch plate will illuminate when cords are plugged into two separate circuits.

M-5 VAC/SOL HOSE CONNECTIONS



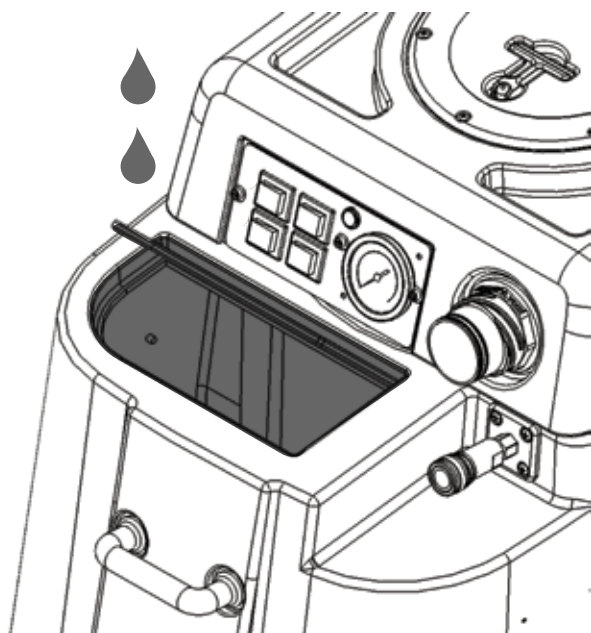
Before turning on switches, connect hoses to the extractor and a wand or tool. Attach a solution hose to the front QD, the other end to the tool. Attach a vacuum hose to the tool, the other to the front Cuff-Lynx™ vacuum hose port. Just twist into place.

M-5 SWITCHES & PRESSURE GAUGE



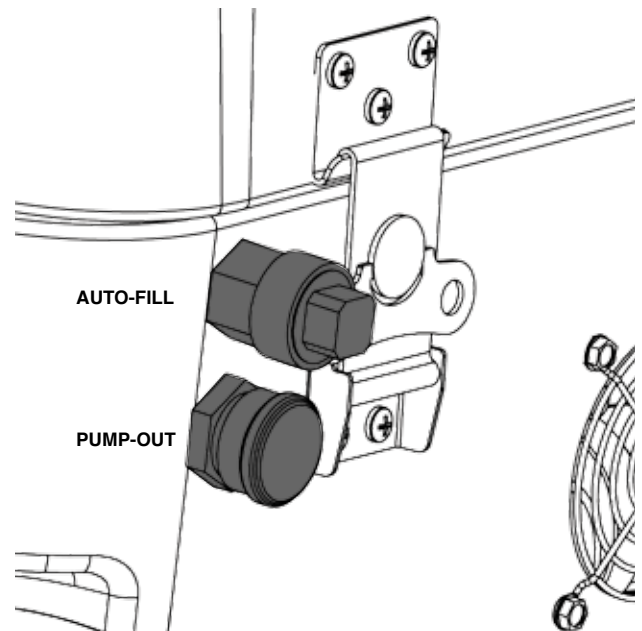
Switches and Pressure Gauge are located on the plate in front of the machine. The Amber light left of the Pressure Gauge will illuminate when cords are plugged into two separate circuits. To use vacuums, turn on Vac 1 and Vac 2 switches. To use Pump, turn on Pump switch. The Pressure Gauge displays the water pressure as PSI. To use Pump-out feature, turn on Pump-out switch.

M-5 FILL SOLUTION TANK



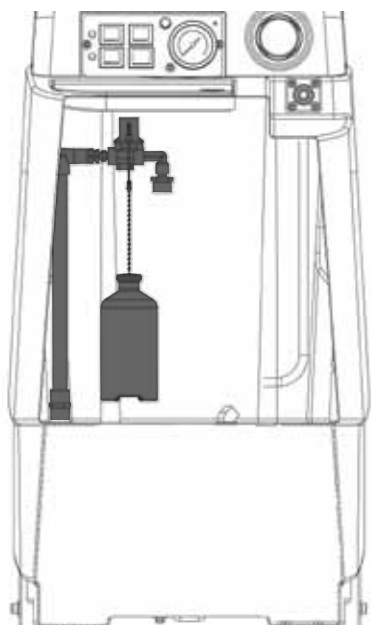
If not using the Auto-fill feature, lift the solution tank lid and manually fill the tank.

M-5 AUTO-FILL & PUMP-OUT



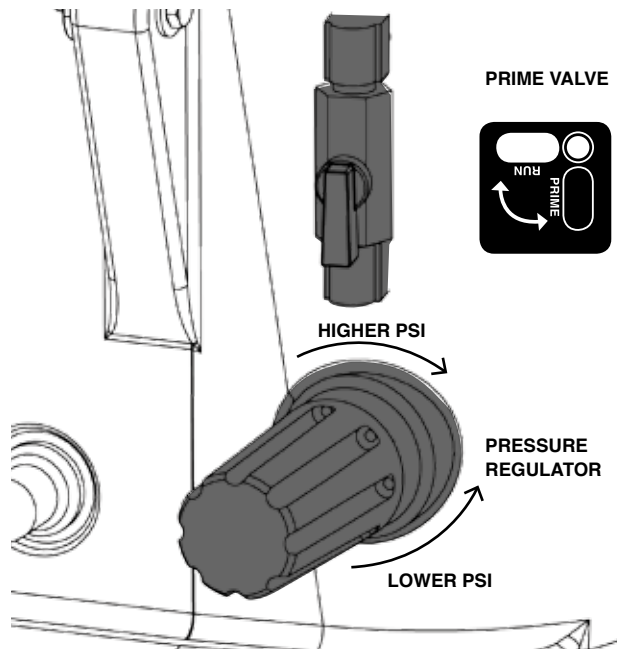
If using Auto-fill and Pump-out, connect one end of a 1/2 inch garden hose to the top inlet in back of the machine, the other end to a faucet. Add water pressure by turning on faucet. Attach a second 1/2 inch garden hose to the bottom hose inlet, and place the other end in a location where dirty water can drain.

M-5 AUTO-FILL & FLOAT



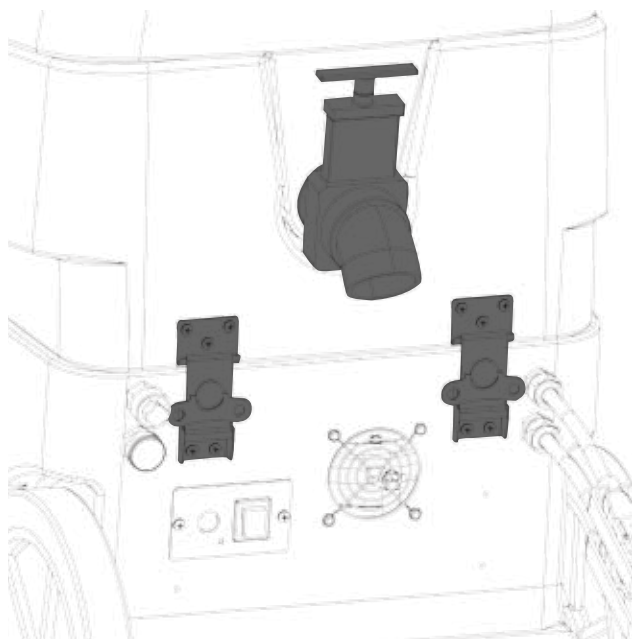
After attaching a garden hose to the Auto-fill inlet, water will fill the tank to a predetermined level until stopped by the float. As water is used and the level drops, water will once again enter the tank, and be stopped again by the float when maximum level is reached. With each new job, check to make sure float stops water after the first fill.

M-5 PRIME VALVE & PRESSURE REGULATOR



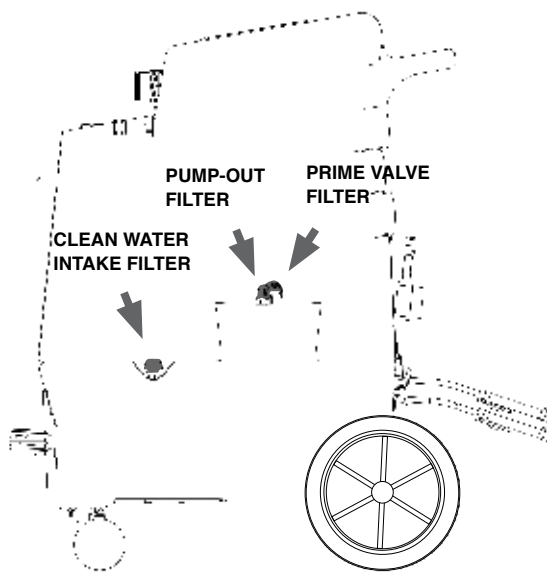
Prime the pump by turning the valve to the Prime position for 30 seconds, then turn horizontally to the Run position. Turn the Pressure Regulator to the left to decrease the water pressure. Turn the pressure regulator to the right to increase the water pressure. Monitor pressure while adjusting, using Pressure Gauge on Switch Panel.

M-5 DRAIN VALVE & LATCHES



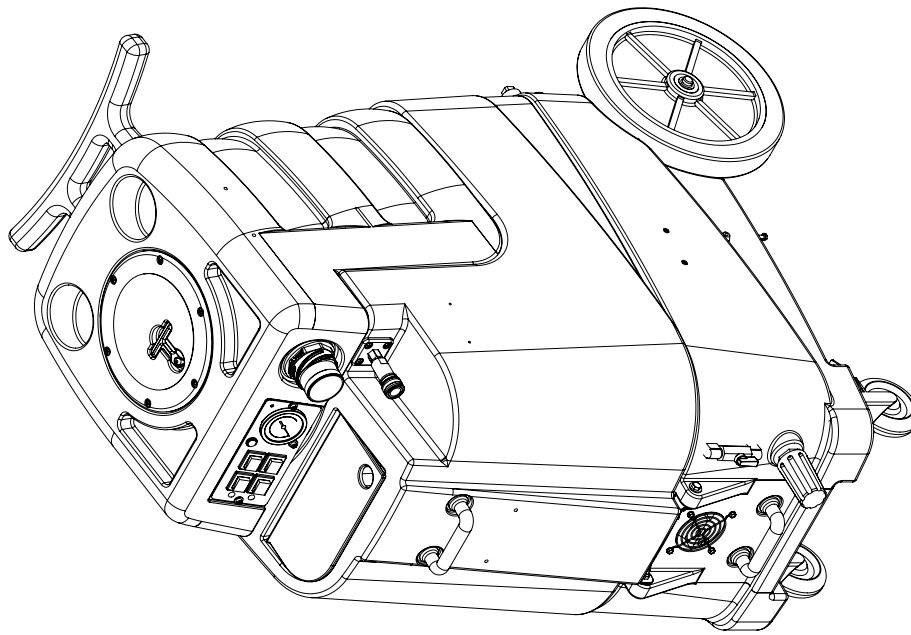
You can drain the recovery tank by using the Drain Valve. When not using the Auto Pump-out, you can drain the recovery tank by using the Drain Valve. When the tank is full, an internal ball float will automatically shut off the vacuum. Attach the 45° drain elbow to the drain spout, and lift up the Drain Valve to empty the tank. Latches are located in the back to open tank for internal repairs.

M-5 FILTER MAINTENANCE



To clean the internal filters, lift solution lid and/or remove recovery tank lid, reach in and twist off. Rinse with clean water and replace.

M-5 M-SERIES™ PARTS & PRICING



ITEM NO.	PART NO.	DESCRIPTION	QTY.	MSRP
71	G004	gasket, vacuum motor	2	\$8.99 ea
72	H501	vac support, 3 stage, 4-1/16"	6	\$4.99 ea
73	H253	plate, dual manifold, 9" x 13"	1	\$14.99 ea
74	G212	cover, sol tank (m-series)	1	\$12.99 ea
75	B115	nipple, 1/2" x 1/4" npt, m x m	1	\$23.99 ea
76	H541	valve, float, outfill	1	\$124.99 ea
77	H215	nut, hex, 1/4-20, s/s	2	\$0.99 ea
78	H213	washer, 1/4" lock, s/s	4	\$0.99 ea
79	G032	washer, buna 1-1/8" od x 3/16" id	6	\$1.99 ea
80	H203	bolt, 1/4-20 x 1-1/8" hex head, s/s	2	\$0.99 ea
81	P708	sol tank, m series	1	\$210.99 ea
82	H484	plate, mounting, QD	1	\$4.99 ea
83	B102	qd, brass, 1/4"	1	\$1.99 ea
84	B119	filter, strainer, 1/4"	1	\$3.99 ea
85	B119A	filter, strainer, 1/2"	1	\$6.49 ea
86	H378	bracket, front hinge sp/br	1	\$8.99 ea
87	H201	bolt, 1/4-20 x 1-3/4" hex head, zinc	2	\$0.99 ea
88	H204	bolt, 1/4-20 x 1-3/4" hex head, s/s	2	\$0.99 ea
89	H135	Cuff-hyxx, 2" m cuff x 2" mpt	1	\$3.99 ea
90	P684	adaptor, pvc 2, 1mb x 1mb	2	\$6.99 ea
91	P682	pipe, pvc, 2"	2	\$7.99/ft
92	H490	float, 2", ball style	2	\$18.49 ea
93	P726	screw, #8 x 1/2", hex head, zinc	6	\$0.99 ea
94	H297	screw, #8 x 5/8 phi oval, s/s	6	\$0.99 ea
95	H304	lid, vac tank, black, 7"	1	\$36.99 ea
96	G090	adaptor, pvc 2, 1mb x 1mb	2	\$6.99 ea
97	G091	gasket, 7", vac lid	1	\$11.99 ea
98	A926	elbow, inlet assembly 2"	1	\$15.99 ea
99	P709	vac tank, m series	1	\$245.99 ea
100	H225	valve, drain, 1-1/2"	1	\$20.99 ea
101	E544	controller, circuit light	1	\$62.49 ea
102	H246	screw, #8-32 x 3/8" SHCS, alloy	1	\$0.99 ea
103	P685	inlet, 2"	2	\$10.99 ea
104	H390A	bracket, 1" (all extractors)	2	\$6.99 ea
105	H770	bolt, 1/4-20 x 1/2" serrated hex flange, zinc	4	\$0.99 ea
106	H333	mesh filter, auto dump, 1/2" npt	1	\$9.99 ea
107	B643	adaptor, brass, 3/8" female npt x 1/4" male npt	1	\$4.99 ea
108	AH203	hose, pulse, 3/8" x 3/4" (OAL)	1	\$47.99 ea
109	H308D	gauge, pressure, 2000 PSI	1	\$38.99 ea
110	E515	switch, rocker, 2 position	4	\$13.99 ea
111	H389	screw, #10-32 x 1/2" SHCS, alloy	3	\$0.99 ea
112	H612	washer, #8 flat, s/s	3	\$0.99 ea
113	E512B	light, indicator, 125v (amber)	1	\$9.99 ea
114	H337	plate, switch, sp. 4 hole w/gauge	1	\$8.99 ea
115	B216	nipple, brass, 3/8" x close	2	\$1.99 ea
116	H422	plug, dome 3/8" black	2	\$0.99 ea

ITEMS NOT SHOWN

PART NO.	DESCRIPTION	QTY.	MSRP
G085	gasket, slip, 3/4" x 3/4" x 1/8"	1	\$4.99 ea
G010	filter, bag, vac tank, drawsting	1	\$9.99 ea

ACCESSORIES

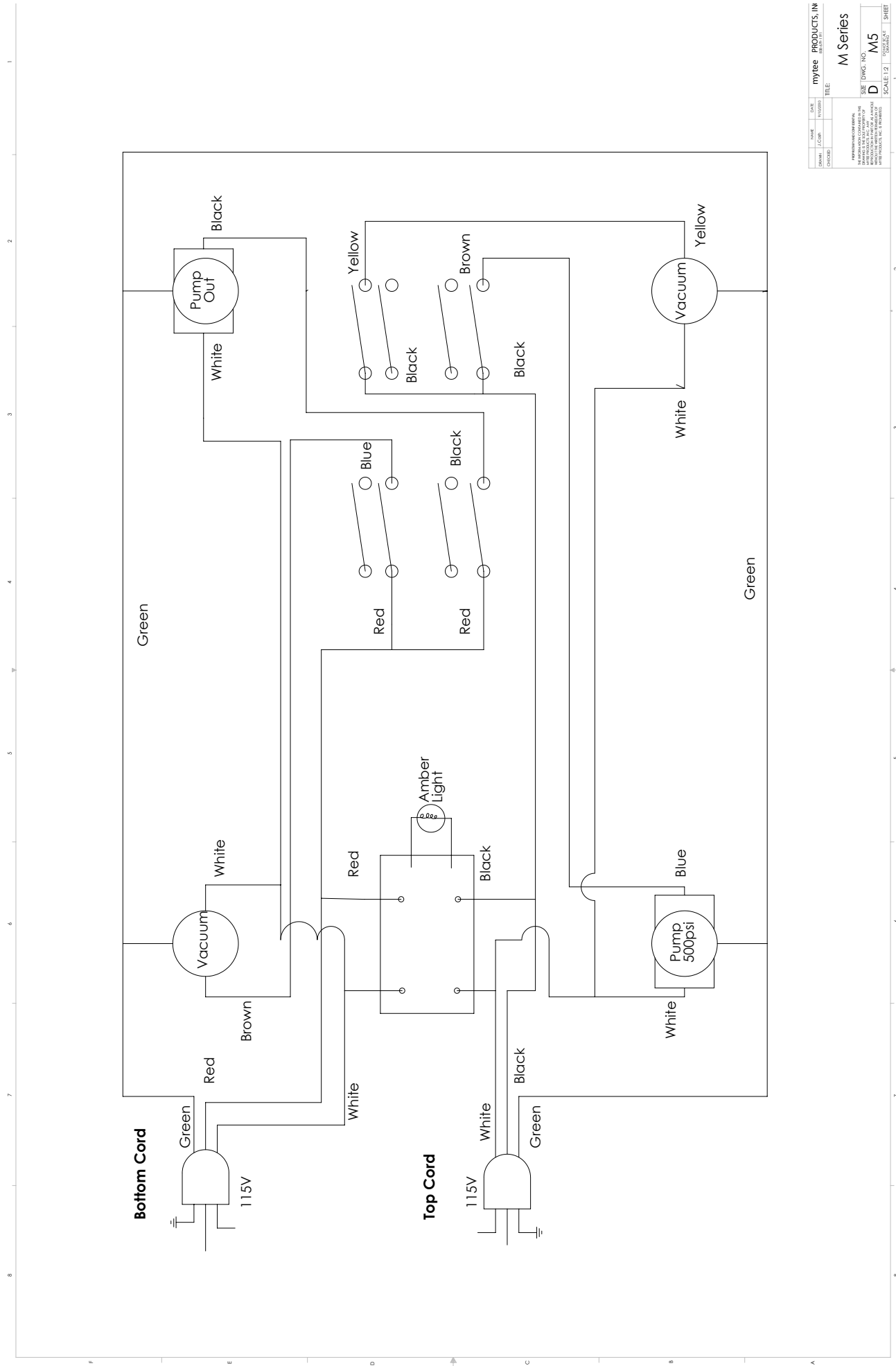
PART NO.	DESCRIPTION	QTY.	MSRP
ADM-M-SERIES	manual, m-series	1	
AD127	stop sign, register your product	1	
H226	spout, drain, 45 degree	1	\$3.19 ea
H110	cuff-hyxx, 2" hose x 2" fem swivel cuff-hyxx	1	\$3.99 ea
H375	hanger, wire formed, hose	1	\$10.99 ea
H230	screw, 10-32 x 1/2 phi pan head, s/s	2	\$0.99 ea
H141	cuff-hyxx, 2" to 1.5" reducer	1	\$3.99 ea
G029	banana bag, mesh bag, yellow	1	\$3.99 ea

ITEM NO.	PART NO.	DESCRIPTION	QTY.	MSRP
1	H186	screw, 10-32 x 3/4", phi flat full thread, black oxide	4	\$0.99 ea
2	H210	washer, 1/4" flat, s/s	27	\$0.99 ea
3	H273	nut, kep, #10-32 zinc	14	\$0.99 ea
4	C381	pump out, 115v	1	\$187.49 ea
5	PH615-37	sol hose, 1/2", kuri 100 psi	1	\$8.99/ft
6	H347	clamp, hose, 5/16-29/32	24	\$14.49 ea
7	B226	elbow, brass, 90 deg, 1/2" barb x 3/8" fpt	1	\$14.49 ea
8	H299	washer, 11/16" dia x 1-1/2" od x .075, s/s	9	\$0.99 ea
9	PH615-17	sol hose, 1/2", kuri 100 psi	1	\$8.99/ft
10	B132	adaptor, brass, 1/2" barb x 1/2" mpt	1	\$9.49 ea
11	B644	adaptor, brass, 1/2" barb x 1/4" mpt	2	\$2.49 ea
12	H191	washer, zinc, 1.625 x .847 x .078	2	\$0.99 ea
13	H219	cap, axle, 1/2"	2	\$0.99 ea
14	H251	wheel, 12"	2	\$41.99 ea
15	H254	washer, axle, cut 1/2" id	3	\$0.99 ea
16	H232	axle, 19.75" x .50"	1	\$9.99 ea
17	P707	base, m series	1	\$178.99 ea
18	H668	caster, 4", black hub & gray head	2	\$19.49 ea
19	H342	bolt, 1/4-20 x 1" hex head, s/s	8	\$0.99 ea
20	H216	nut, lock, 1/4-20 nylon insert	17	\$0.99 ea
21	H768	bolt, 1/4-20 x 3/4" serrated hex flange, zinc	13	\$0.99 ea
22	H211	washer, 1/4" dia x 1" od, flat, s/s	8	\$0.99 ea
23	H485	handle, breeze and ax	2	\$6.99 ea
24	B105	bushing, brass, 3/8" mpt x 1/4"	5	\$3.19 ea
25	B160	adaptor, brass, 1/2" barb x 3/8" fsw, ball end	2	\$3.49 ea
26	PH615-21	sol hose, 1/2", kuri 100 psi	1	\$8.99/ft
27	B136	elbow, brass, 90 deg, 1/4" mpt x 1/4" mpt	1	\$4.99 ea
28	C313C	regulator, 450 psi	1	\$86.99 ea
29	B103	elbow, brass, 90 deg, 1/4" mpt x 1/4" fpt	5	\$4.49 ea
30	B656	ball valve, 1/4"	1	\$13.49 ea
31	H212	washer, 9/16" dia x 1" od, flat, s/s	6	\$0.99 ea
32	B107	nipple, brass, 1/4" m, hex	3	\$3.19 ea
33	B130	45 deg, street elbow, brass, 1/4" male NPT	3	\$5.49 ea
34	B235	adaptor, brass, 3/8" barb x 1/4" fsw	2	\$7.99 ea
35	AH103	sol hose, 3/8" x 10", (OAL), 1 x f	1	\$30.49 ea
36	PH715-28	sol hose, kuriyama, 3/8"	1	\$7.99/ft
37	B111	adaptor, brass extender, 1/4" mpt x 1/4" fpt, hex	3	\$3.49 ea
38	B106	nipple, brass, 1/4" x close	3	\$3.49 ea
39	H343	screw, 10 x 5/8" hex head, zinc	14	\$0.99 ea
40	H296	guard, cooling fan, wire	3	\$2.99 ea
41	B186	elbow, brass, 90 deg, 3/8" mpt x 3/8" fpt	4	\$8.99 ea
42	AH202	hose, pulse, 3/8" x 3/4" (OAL)	1	\$39.99
43	B210	bushing, brass, 1/2" mpt x 3/8" fpt, hex	3	\$2.49 ea
44	H230	screw, 10-32 x 1/2 phi pan	18	\$0.99 ea
45	H486	latch, front/breeze	2	\$13.99 ea
46	H221	nut, lock, 1/2" steel	2	\$1.99 ea
47	H220	fitting, strain relief, cord	2	\$3.19 ea
48	E550	power cord, pigtail, 30', 12/3, black	2	\$11.49 ea
49	G131	connector, cord lock	2	\$4.99 ea
50	B221	plug, brass, 3/4", garden hose	1	13.99 ea
51	B120	cap, brass, 3/4", garden hose	1	\$1.49 ea
52	B640	filter, 60 mesh, garden hose	1	\$1.99 ea
53	B642	swivel, brass, 3/4" fgh x 1/2" fpt	1	\$5.49 ea
54	B196	fitting, brass, 3/4" mgh x 1/2" fpt	1	\$5.99 ea
55	B172	elbow, brass, 90 deg, 1/2" barb x 3/8" mpt	2	\$9.49 ea
56	PH615-10	sol hose, 1/2", kuri 100 psi	1	\$8.99/ft
57	B652	elbow, brass, 90 deg, 3/8" mpt x 1/4" mpt	1	\$8.49 ea
58	B246	plug, brass, 3/8" mpt, hex	3	\$1.99 ea
59	B242	tee, brass, 3/8" fpt x 3/8" mpt x 3/8" fpt	1	\$13.99 ea
60	PH615-15	sol hose, 1/2", kuri 100 psi	1	\$8.99/ft
61	AH195	sol hose, 5/7 x 1/4", (OAL), m	1	\$37.99 ea
62	C313	pump, 500 psi, 115v	1	\$588.99 ea
63	AH108S	sol hose, 1/4" x 24 1/2", (OAL)	1	\$26.49 ea
64	H202	bolt, 1/4-20 x 3/4" hex head, s/s	10	\$0.99 ea
65	P735	manifold, single vac, no gasket	2	\$14.99 ea
66	H217	clamp, hose, 2-1/4 dia	4	\$1.49 ea
67	PH628-25	vac hose, 2", black wire reinforced	1	\$8.99/ft
68	H544	cuff hose, 2 X 2, wire reinforced	2	\$12.49 ea
69	G059	exhaust boot, plastic	2	\$4.99 ea
70	C302A	motor, 3-stage, 115 cfm, 14.5 amps	2	\$148.99 ea

Order parts at: <http://www.mtyee.com/products/product.php?id=M-5>

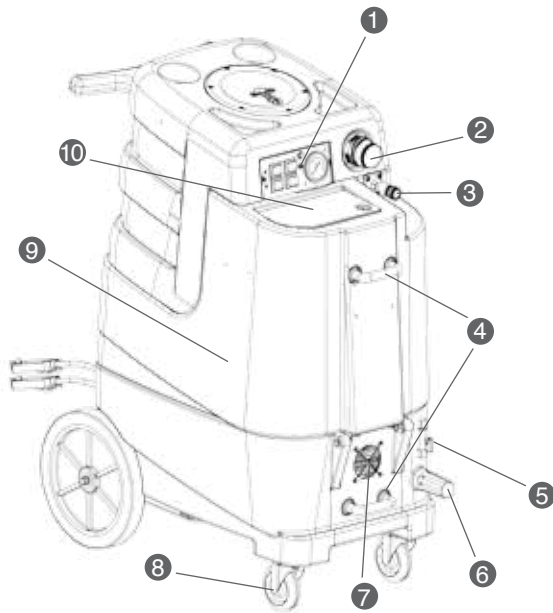
Part prices are subject to change.

M-5 WIRING DIAGRAM



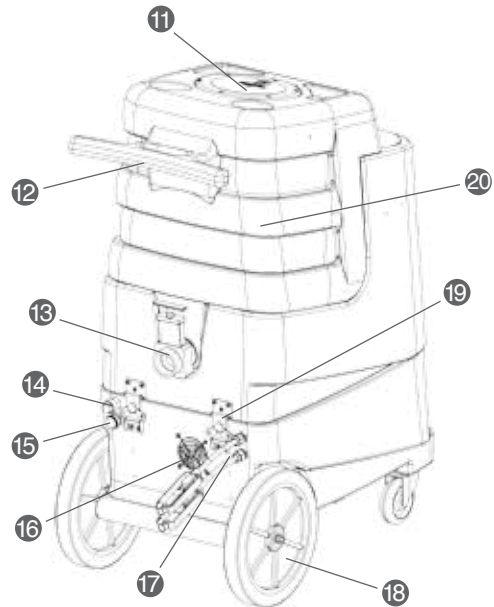
nytee PRODUCTS, INC.		TITLE	
NAME	DATE	REV	DATE
DESIGNED BY	11/20/05		
CHECKED BY			
M Series		D M5	
SCALE: 1:2		SHEET 1 OF 1	

M-12 FRONT



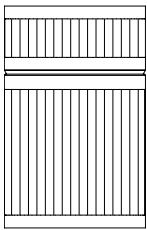
- | | |
|---------------------------------|-------------------------|
| 1. Switch plate | 6. Pressure regulator |
| 2. 2" Male Cuff-Lynx™ | 7. Front cooling fan |
| 3. Female quick disconnect (QD) | 8. 4" locking casters |
| 4. Front handles | 9. Solution tank |
| 5. Prime valve | 10. Solution tank cover |

M-12 BACK

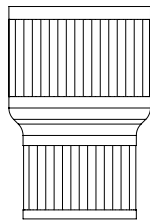


- | | |
|-----------------------|----------------------|
| 11. Recovery tank lid | 16. Rear cooling fan |
| 12. Push handle | 17. Dual power cords |
| 13. Drain valve | 18. 12" rear wheels |
| 14. Auto-fill | 19. Latches (x2) |
| 15. Auto pump-out | 20. Recovery tank |

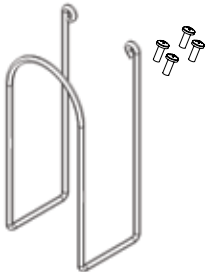
M-12 ITEMS INCLUDED



H110 Cuff-Lynx™
2" Hose Adapter



H141 Cuff-Lynx™
2" Hose Reducer to 1.5"



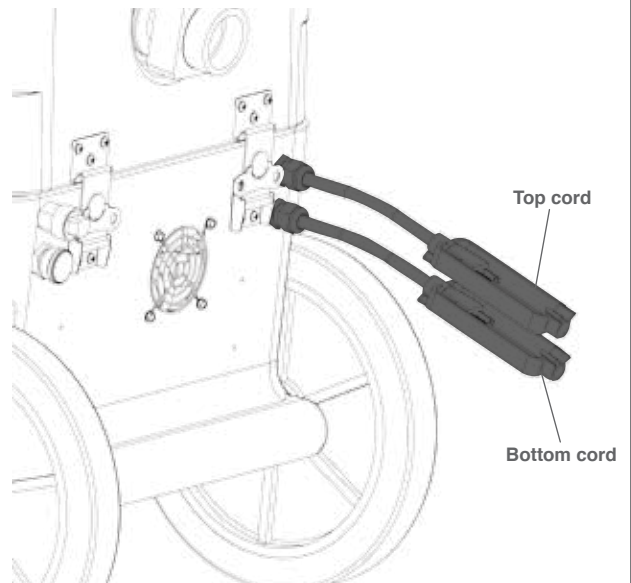
H375 Hose Hanger
(4) screws



H226 Drain Elbow

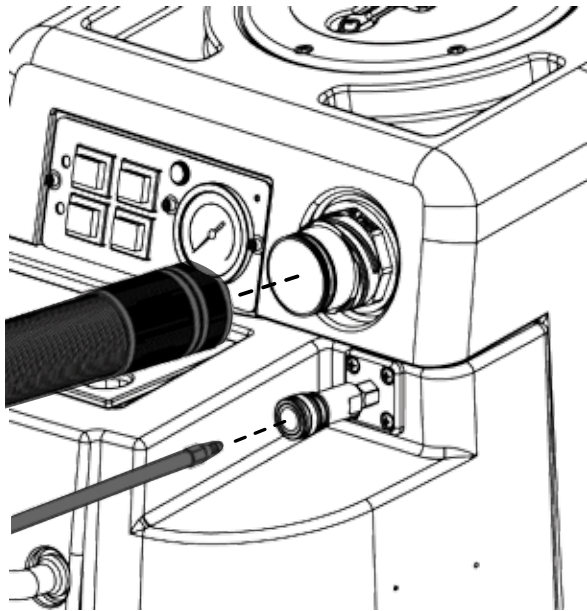
M-12 DUAL CORDS

Top cord: Plug into power Vacuum 1, 2 & Pump-out.
Bottom cord: Plug into power Pump-Mode: Carpet & Tile.



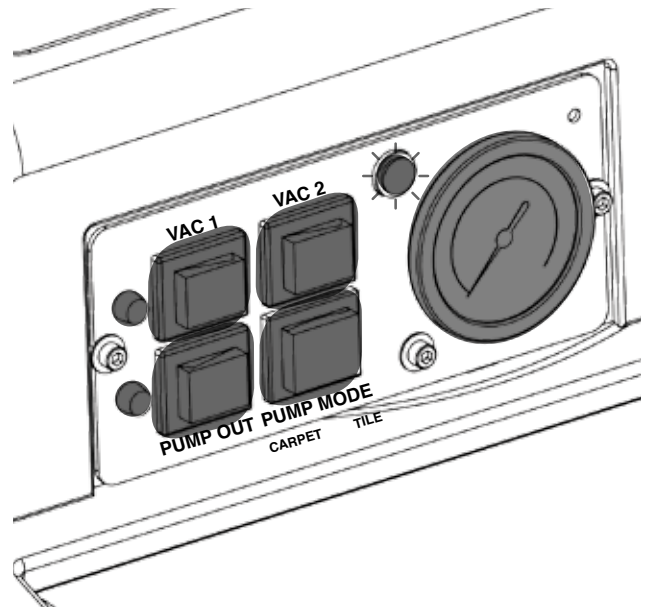
Plug each of the two power cords into two separate, 20A grounded wall outlets. The amber light indicator on the switch plate will illuminate when cords are plugged into two separate circuits.

M-12 VAC/SOL HOSE CONNECTIONS



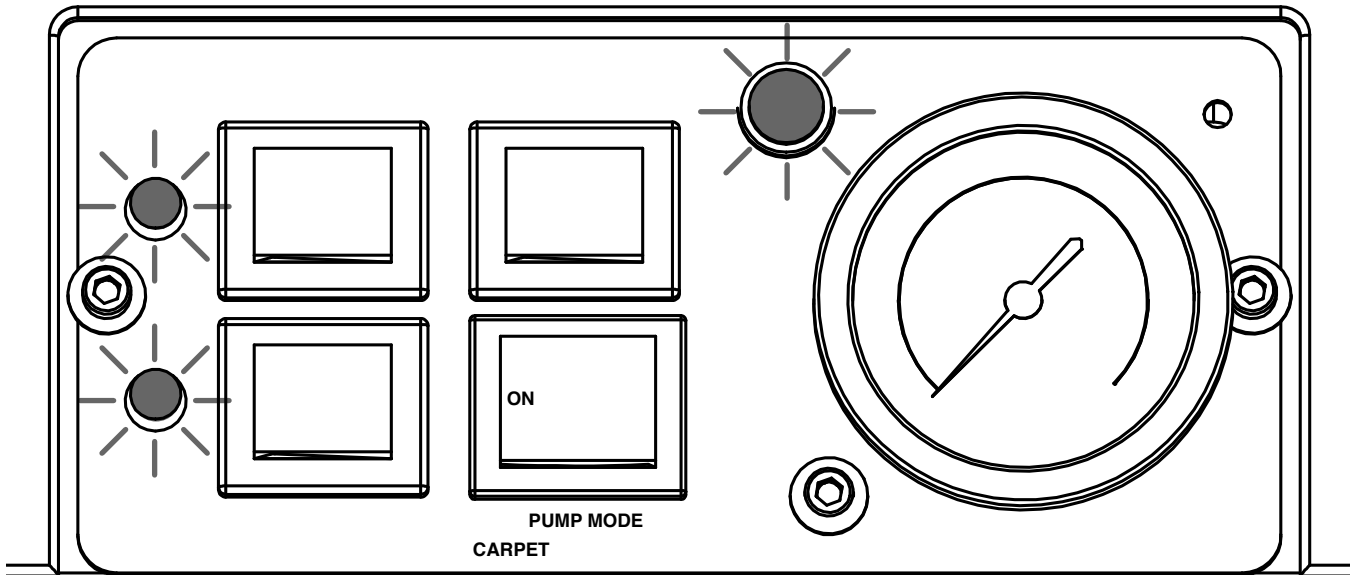
Before turning on switches, connect hoses to the extractor and a wand or tool. Attach a solution hose to the front QD, the other end to the tool. Attach a vacuum hose to the tool, the other to the front Cuff-Lynx™ vacuum hose port. Just twist into place.

M-12 SWITCHES & PRESSURE GAUGE



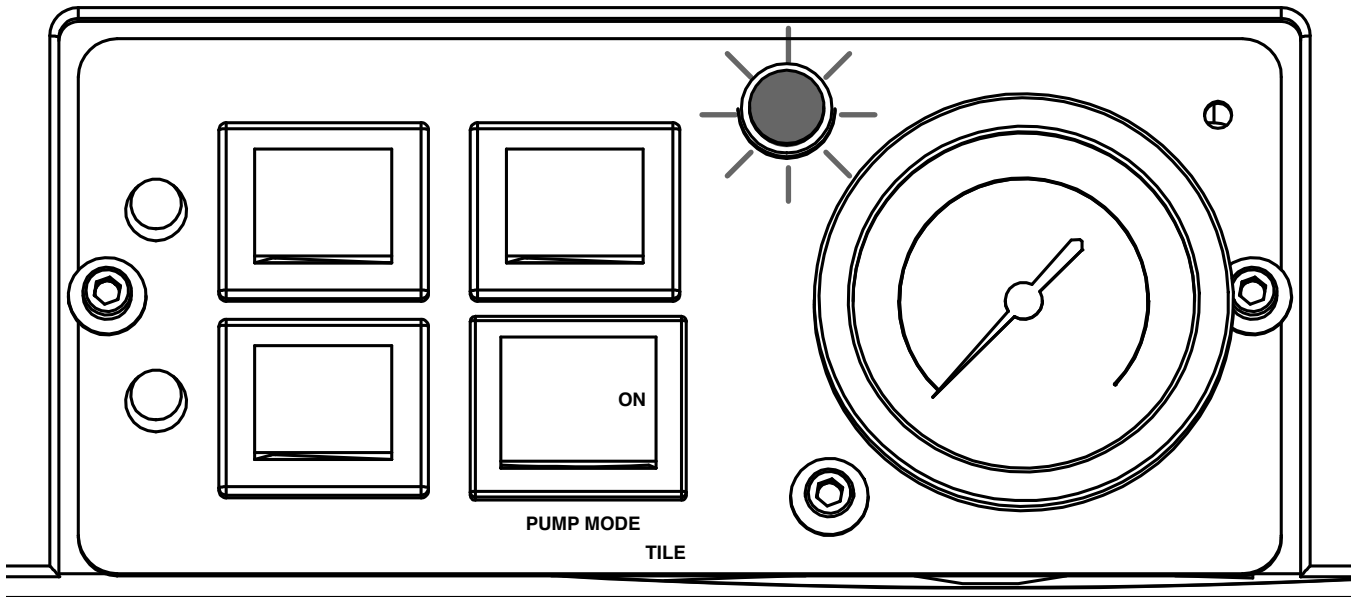
Switches and Pressure Gauge are located on the plate in front of the machine. The Amber light left of the Pressure Gauge will illuminate when cords are plugged into two separate circuits. To use vacuums, turn on Vac 1 and Vac 2 switches. To use Pump-out, turn on Pump-out switch. To use on carpet, turn the Pump Mode switch to Carpet. To use for Tile, turn the Pump Mode switch to Tile. The Pressure Gauge displays the water pressure as PSI.

M-12 CARPET MODE



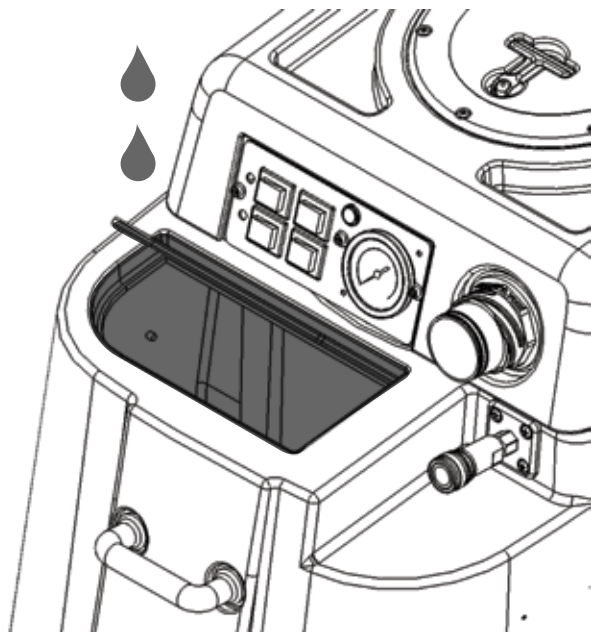
Press left side of Pump mode button for Carpet. The Amber light left of the Pressure Gauge will illuminate when cords are plugged into two separate circuits. Two red lights left of switches will appear when Carpet mode is activated. In carpet cleaning mode, a 220 PSI pump and solution heater are used. The 220 PSI is not adjustable. Adjusting the regulator in this mode will not affect the pump pressure.

M-12 TILE MODE



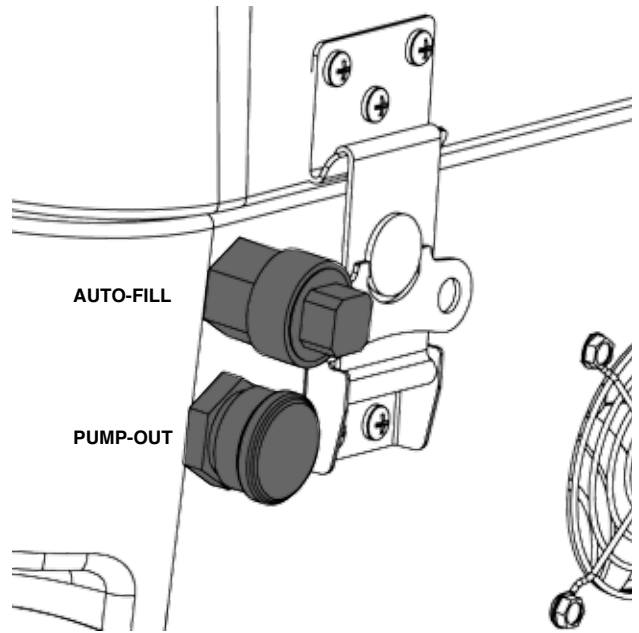
Press right side of Pump mode button for Tile. The Amber light left of the Pressure Gauge will illuminate when cords are plugged into two separate circuits. In Tile cleaning mode, a 1200 PSI pump will be used. Pump pressure is set using the regulator on the front of the unit. There is no heat in tile mode. It is not possible to run the heater and 1200 PSI pump simultaneously.

M-12 FILL SOLUTION TANK



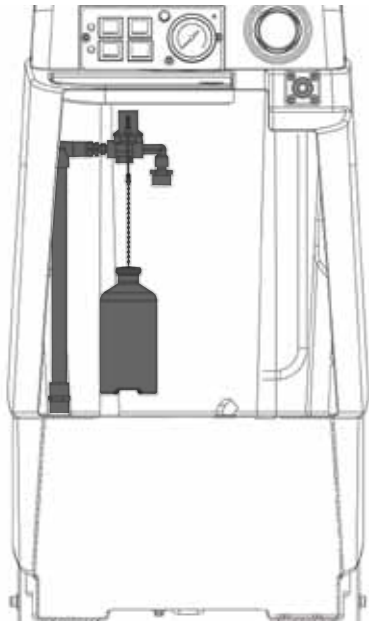
If not using the Auto-fill feature, lift the solution tank lid and manually fill the tank.

M-12 AUTO-FILL & PUMP-OUT



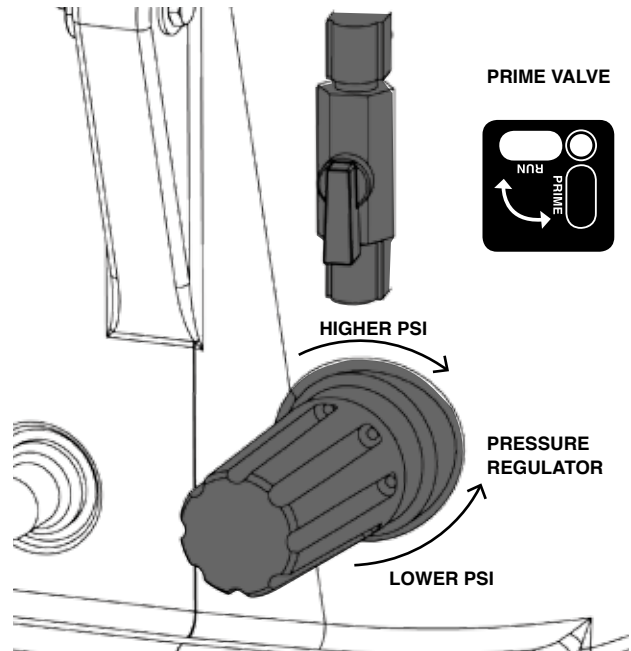
If using Auto-fill and Pump-out, connect one end of a 1/2 inch garden hose to the top hose inlet in back of the machine, the other end to a faucet. Add water pressure by turning on faucet. Attach a second 1/2 inch garden hose to the bottom hose inlet, and place the other end in a location where dirty water can drain.

M-12 AUTO-FILL & FLOAT



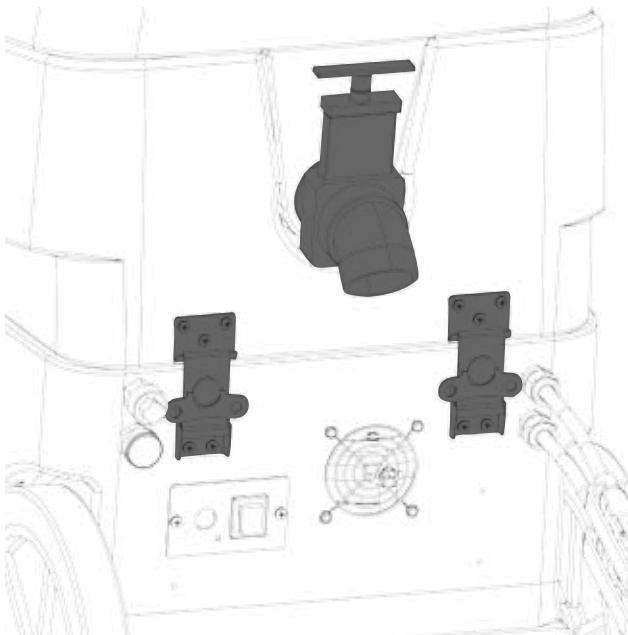
After attaching a garden hose to the Auto-fill inlet, water will fill the tank to a predetermined level until stopped by the float. As water is used and the level drops, water will once again enter the tank, and be stopped again by the float when maximum level is reached. With each new job, check to make sure float stops water after the first fill.

M-12 PRIME VALVE & PRESSURE REGULATOR



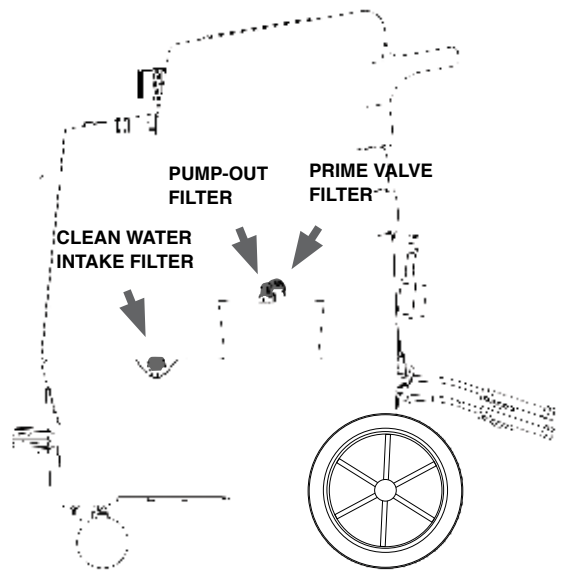
Prime the pump by turning the valve to the Prime position for 30 seconds, then turn horizontally to the Run position. Turn the Pressure Regulator to the left to decrease the water pressure. Turn the pressure regulator to the right to increase the water pressure. Monitor pressure while adjusting, using Pressure Gauge on Switch Panel.

M-12 DRAIN VALVE & LATCHES



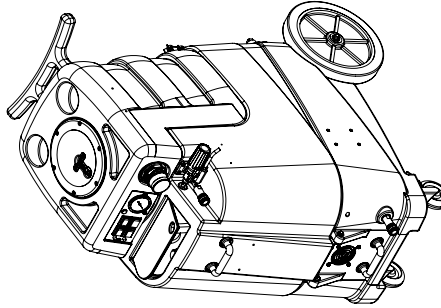
You can drain the recovery tank by using the Drain Valve. When not using the Auto Pump-out, you can drain the recovery tank by using the Drain Valve. When the tank is full, an internal ball float will automatically shut off the vacuum. Attach the 45° drain elbow to the drain spout, and lift up the Drain Valve to empty the tank. Latches are located in the back to open tank for internal repairs.

M-12 FILTER MAINTENANCE



To clean the internal filters, lift solution lid and/or remove recovery tank lid, reach in and twist off. Rinse with clean water and replace.

M-12 PARTS & PRICING



ITEM NO.	PART NO.	DESCRIPTION	new/QTY.	MSRP
81	B142A	coupling, brass, 1/4" fpt x 1/4" fpt	1	\$4.49 ea
82	H484	plate mounting, OD	1	\$4.99 ea
83	C359C	regulator, 1000 psi, white spring	1	\$86.99 ea
84	PH634-36	sol hose, 1/4" x 300 PSI	1	\$6.49 ft
85	B109	adapter, brass, 1/4" barb x 1/4" mpt	2	\$1.99 ea
86	PH634-20	sol hose, 1/4" x 300 PSI	1	\$6.49 ft
87	G034	grommet, rubber, 3/4" ID x 1-5/8" OD	1	\$0.99 ea
88	B656	ball valve, 1/4"	1	\$13.49 ea
89	B119A	filter, strainer, 1/2"	1	\$6.49 ea
90	B216	bushing, brass, 1/2" mpt x 3/8" fpt, hex	2	\$2.49 ea
91	B210	nipple, brass, 3/8" x close	2	\$1.99 ea
92	H378	bracket, front hinge, sp/br	1	\$8.99 ea
93	H201	bolt, 1/4-20 x 1/2" hex head, zinc	2	\$0.99 ea
94	H316	bolt, 1/4-20 x 1-1/2" hex head, s/s	2	\$0.99 ea
95	G052	washer, buna 1-1/8" od x 3/16" id	6	\$1.99 ea
96	G212	cover, sol tank (m-series)	1	\$12.99 ea
97	B115	nipple, 1/2" x 1/4" npt, m x m	1	\$23.99 ea
98	H541-A	valve, float, autofill	1	\$124.99 ea
99	H203	bolt, 1/4-20 x 1-1/4" hex head	2	\$0.99 ea
100	P708	sol tank, m series	1	\$210.99 ea
101	AH10	hose, pulse, block, 75' (OAL), 1/4" bw x 3/8" msw	1	\$22.99 ea
102	H308D	gauge, pressure, 2000 PSI	1	\$38.99 ea
103	E516	switch, rocker, 3 position	1	\$14.99 ea
104	E515	switch, rocker, 2 position	3	\$13.99 ea
105	E511	light, red, 250v	2	\$3.99 ea
106	H889	screw, #10-32 x 1/2" SHCS, alloy	3	\$0.99 ea
107	H612	washer, #8 flat, s/s	3	\$0.99 ea
108	E512B	light, indicator, 125v (amber)	1	\$9.99 ea
109	H337	plate, switch, sp, 4 hole w/gauge	1	\$8.99 ea
110	H135	CuffLynx, 2" m cuff x 2" mpt	1	\$3.99 ea
111	G002	gasket, com fitting polyethylene, 2.35" OD 1.90" ID	2	\$6.49 ea
112	P684	adapter, pvc 2, fmsl x fmsl	1	\$6.99 ea
113	P682	pipe, pvc, 2"	1	\$7.99 ft
114	H297	screw, #8 x 1/2", hex head, zinc	3	\$0.99 ea
115	P726	flange, 2" flat	1	\$14.99 ea
116	H490	float, 2" ball style	1	\$16.49 ea
117	G090	lid, vac tank, black, 7"	1	\$36.99 ea
118	H304	screw, #8 x 5/8 phi oval, s/s	6	\$0.99 ea
119	G091	gasket, 7", vac lid	1	\$11.99 ea
120	A926	elbow, inlet assembly Z	1	\$15.99 ea
121	P709	vac tank, m series	1	\$243.99 ea
122	H225	valve, drain, 1-1/2"	1	\$20.99 ea
123	H390A	bracket, 1" (all extractors)	2	\$6.99 ea
124	H270	bolt, 1/4-20 x 1/2" serrated hex (brn) zinc	4	\$0.99 ea
125	H333	mesh filter, auto dump, 1/2" npt	1	\$9.99 ea
126	P685	inlet, Z	1	\$10.99 ea

ITEMS NOT SHOWN

PART NO.	DESCRIPTION	QTY.	MSRP
E530	power cord, ext. 50', 12/3, black	2	\$74.99 ea
E564	controller, circuit light	1	\$62.49 ea
G010	filter, bag, vac tank, drawstring	1	\$9.99 ea
G147	strap, velcro, w/buckle	1	\$3.49 ea
PH634-36	sol hose, 1/4", kari	1	\$6.49 ft

ACCESSORIES

PART NO.	DESCRIPTION	QTY.	MSRP
ADM-M-SERIES	manual, m-series	1	
ADM-CUFF-LYNX	Cuff-Lynx instruction guide	1	
AD127	stop sign, register your product	1	
H110	Cuff-Lynx, 2" hose x 2" fem swivel Cuff-Lynx	1	\$3.99 ea
H141	Cuff-Lynx, 2" to 1.5" reducer	1	\$3.99 ea
H226	spout, drain, 45 degree	1	\$3.19 ea
H230	screw, 10-32 x 1/2" phil pan head s/s	2	\$0.99 ea
H375	hanger, wire formed, hose	1	\$10.99 ea
G109	banana bag, mesh bag, yellow	1	\$3.99 ea

INTELLECTUAL PROPERTY RIGHTS: ALL RIGHTS RESERVED. © 2014 MYTEE PRODUCTS, INC.

INTERNATIONAL COORDINATE SYSTEM: THE INFORMATION CONTAINED HEREIN IS THE PROPERTY OF MYTEE PRODUCTS, INC. AND IS NOT TO BE REPRODUCED OR TRANSMITTED IN ANY FORM OR BY ANY MEANS, ELECTRONIC OR MECHANICAL, INCLUDING PHOTOCOPYING, RECORDING, OR BY ANY INFORMATION STORAGE AND RETRIEVAL SYSTEM.

DATE: 08/01/14

SCALE: 1:8

REV: M12

SHEET OF 2

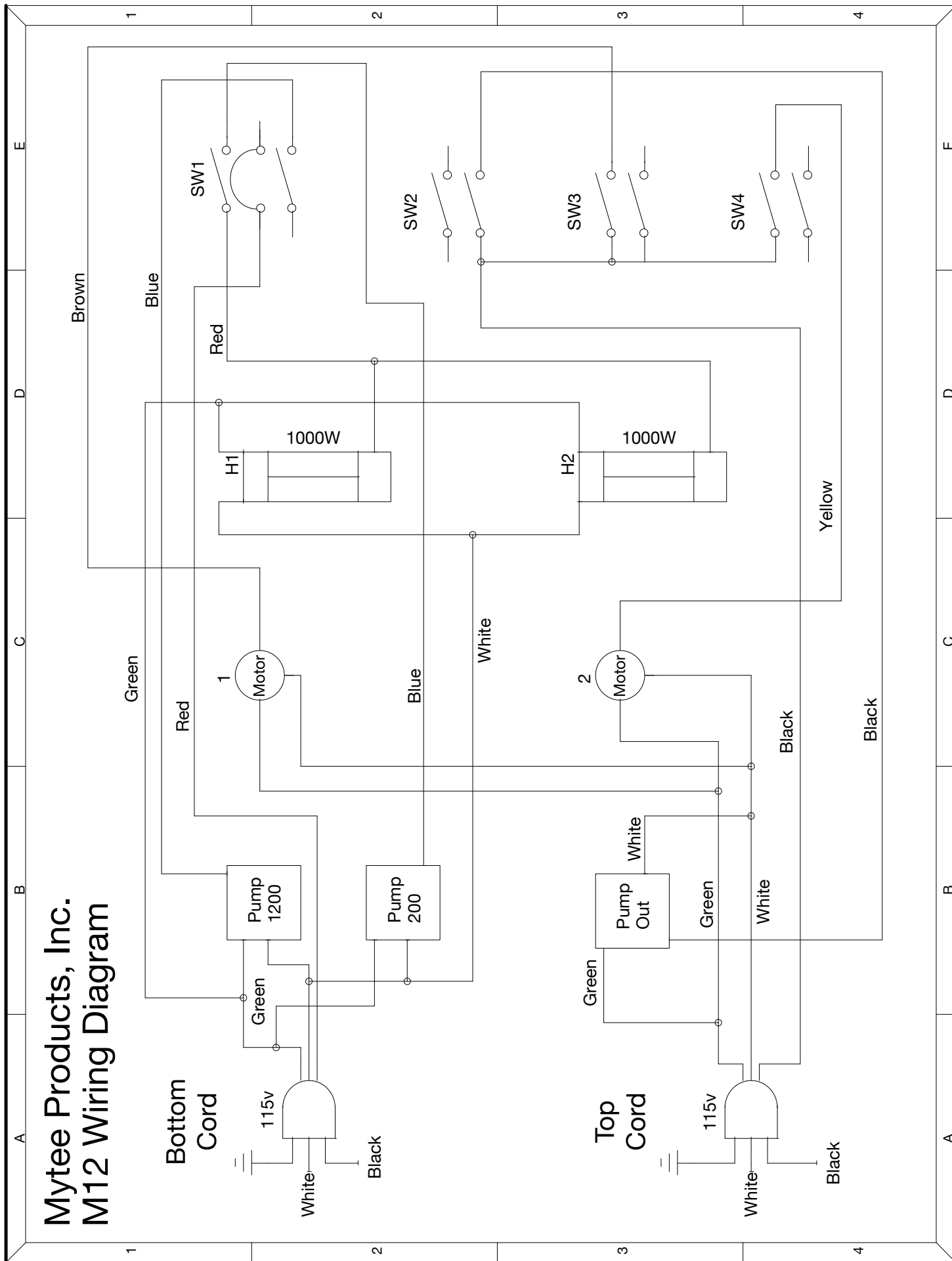
mytee PRODUCTS, INC.
8801 17th St
Broomfield, CO 80020

ITEM NO.	PART NO.	DESCRIPTION	new/QTY.	MSRP
1	B108	valve, brass, 1/4" check	1	\$13.99 ea
2	AH184	hose, 3/8" x 141 1/2" (OAL), f	1	\$27.99 ea
3	B136	elbow, brass, 90 deg, 1/4" mpt x 1/4" mpt	2	\$4.99 ea
4	B105	bushing, brass, 3/8" mpt x 1/4" fpt	5	\$3.19 ea
5	H185	screw, 10-32 x 1-1/4", phi flat full thread, black oxide	4	\$0.99 ea
6	C-322D	pump, 200psi, bypass, 115v	1	\$208.99 ea
7	H210	washer, 1/4" flat, s/s	24	\$0.99 ea
8	H273	nut, kep, #10-32 zinc	7	\$0.99 ea
9	H103	cap, axle, 1/2"	2	\$0.99 ea
10	H251	washer, 1/2"	2	\$41.99 ea
11	H254	washer, axle, cut 1/2" id	4	\$0.99 ea
12	H232	axle, 19.75 x .50	1	\$7.99 ea
14	P707	base, m series	16	\$196.99 ea
15	H215	nut, hex, 1/4-20 s/s	2	\$0.99 ea
16	H668	coiler, 4", black hub & gray head	2	\$19.49 ea
17	H342	bolt, 1/4-20 x 1" hex head, s/s	8	\$0.99 ea
18	H213	washer, 1/4" lock, s/s	12	\$0.99 ea
19	B107	nipple, brass, 1/4" m, hex	3	\$3.19 ea
20	H212	washer, 9/16" id x 1/4" flat, s/s	2	\$0.99 ea
21	B102	qd, brass, 1/4"	2	\$0.99 ea
22	H768	bolt, 1/4-20 x 3/4" serrated hex flange, zinc	10	\$0.99 ea
23	H211	washer, 1/4" id x 1/4" flat, s/s	8	\$0.99 ea
24	H485	handle, breeze and oak	2	\$6.99 ea
25	H206	screw, 10-32 x 5/8" hex head, zinc	4	\$0.99 ea
26	H296	guard, cooling fan, wire	3	\$2.99 ea
27	C317	fan, cooling, 115v	1	\$21.49 ea
28	H343	screw, 10 x 5/8" hex head, zinc	8	\$0.99 ea
29	B132	adapter, brass, 1/2" barb x 1/2" mpt	2	\$9.49 ea
30	H191	washer, zinc, 1.625 x .842 x .078	2	\$1.99 ea
31	PH1615-36	sol hose, 1/2" black, 200 psi 200 degree max	1	\$8.99 ea
32	B236	elbow, brass, 90 deg, 1/2" barb x 3/8" fpt	2	\$14.49 ea
33	H299	washer, 1 1/16" id x 1/2" od x .075, s/s	9	\$0.99 ea
34	H347	clamp, hose, 3/16" od x 1/2" id	16	\$1.99 ea
35	H258	screw, #10-32 x 3/4" phi pan head, zinc	6	\$2.99 ea
36	H256	bracket, heater mounting, dual	1	\$29.99 ea
37	H903A	heater, aluminum cast, single	2	\$78.99 ea
38	E573	Thermostat, 200', Auto, 1/4"	2	\$16.49 ea
39	H274	phi pan head screw zinc, 6-32 x 3/16"	10	\$0.99 ea
40	H275	6-32 x 3/16 p-pan internal sem zinc	8	\$0.99 ea
41	E574	Thermostat, 310°F ± 10°F, Manual, 1/4"	2	\$17.99 ea
42	E519	heating rod, 1000W, 115V	2	\$51.99 ea
43	B207	elbow, brass, 90 deg, 1/4" fpt x 1/4" fpt	1	\$5.99 ea
44	AH156	hose, 3/8" x 6.5' (OAL), 1 x 1.5, 5400 gray	1	\$23.99 ea
45	G039	exhaust boot, plastic	2	\$4.99 ea
46	H500	vac support, 2 stage, 3/16"	6	\$3.99 ea
47	G004	gasket, vacuum motor	2	\$8.99 ea
48	P750	manifold, dual vac, parallel	1	\$15.99 ea
49	H216	nut, lock, 1/4-20 nylon insert	9	\$0.99 ea
50	H202	bolt, 1/4-20 x 3/4" hex head, s/s	10	\$0.99 ea
51	H188	screw, 1/4-20 x 1", phi flat	3	\$0.99 ea
52	H601	plate, manifold, parallel	1	\$13.49 ea
53	H217	clamp, hose, 2 1/4 dia	3	\$1.49 ea
54	H544	cuff hose, 2 X 2, wire reinforced	1	\$12.49 ea
55	PH628-21	vac hose, Z, black, wire reinforced	1	\$8.99 ft
56	C310	vac motor, 2 stage high performance	2	\$103.99 ea
57	B221	plug, brass, 3/4", garden hose	1	13.99 ea
58	B640	filter, 60 mesh, garden hose	1	\$1.99 ea
59	B642	swivel, brass, 3/4" fgt x 1/2" fpt	1	\$5.49 ea
60	B120	cap, brass, 3/4", garden hose	1	\$1.49 ea
61	B196	fitting, brass, 3/4" mgt x 1/2" fpt	1	\$5.99 ea
62	H230	screw, 10-32 x 1/2 phi pan	18	\$0.99 ea
63	H486	latch, front breeze	2	\$13.99 ea
64	H221	nut, lock, 1/2 steel	2	\$1.99 ea
65	H220	fitting, strainer, cord	2	\$3.19 ea
66	E550	power cord, pigtail, 30', 12/3, black	2	\$11.49 ea
67	G131	connector, cord lock	2	\$4.99 ea
68	C381	pump out, 115v	1	\$187.49 ea
69	B113	tee, brass, 1/4" fpt	1	\$6.99 ea
70	B443	adapter, brass, 3/8" female npt x 1/4" male npt	1	\$4.99 ea
71	AH202	hose, pulse, 3/8" x 3/4", (OAL)	1	\$39.99 ea
72	B135	tee, brass, 1/4" mpt	2	\$5.49 ea
73	C-359A	pump, 1200 psi	1	\$708.99 ea
74	B186	elbow, brass, 90 deg, 3/8" mpt x 3/8" mpt	4	\$8.99 ea
75	B632	elbow, brass, 90 deg, 3/8" mpt x 1/4" mpt	1	\$8.49 ea
76	PH615-9	sol hose, 1/2" black, 200 psi 200 degree max	1	\$6.99 ft
77	B644	adapter, brass, 1/2" barb x 1/4" mpt	1	\$2.49 ea
78	AH117	hose, pulse, block, 49' (OAL), 1/4" fswl x 1/4" fswl	1	\$3.49 ea
79	B111	adapter, brass, extender, 1/4" mpt x 1/4" fpt, hex	2	\$3.49 ea
80	B106	nipple, brass, 1/4" x close	1	\$3.49 ea

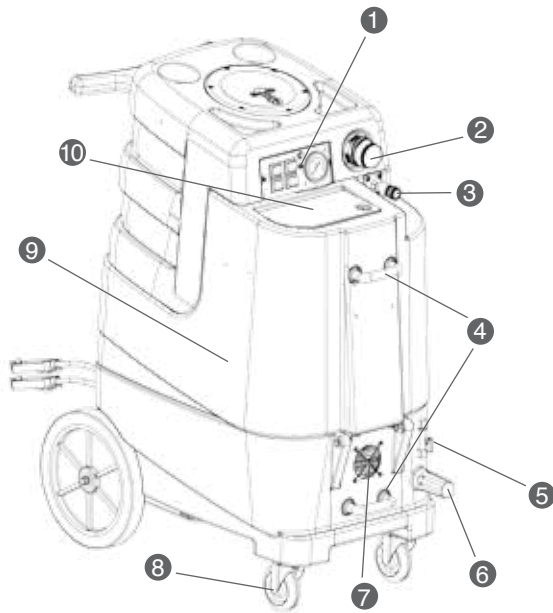
Order parts at: <http://www.mytee.com/products/product.php?id=M-12>

Part prices are subject to change.

Mytee Products, Inc.
M12 Wiring Diagram

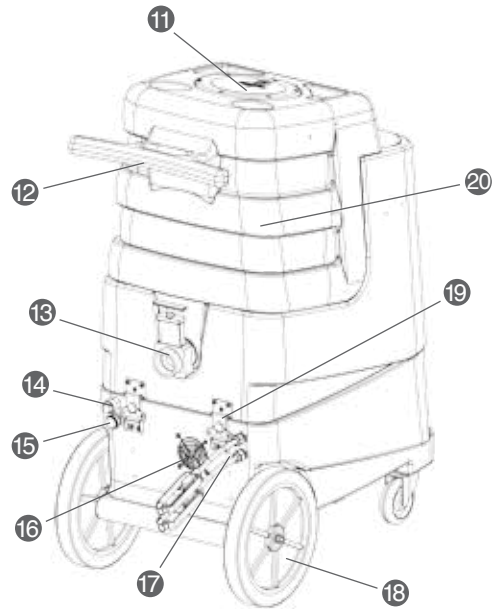


M-16 FRONT



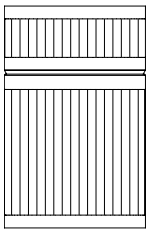
- | | |
|---------------------------------|-------------------------|
| 1. Switch plate | 6. Pressure regulator |
| 2. 2" Male Cuff-Lynx™ | 7. Front cooling fan |
| 3. Female quick disconnect (QD) | 8. 4" locking casters |
| 4. Front handles | 9. Solution tank |
| 5. Prime valve | 10. Solution tank cover |

M-16 BACK

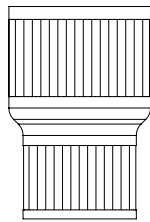


- | | |
|-----------------------|----------------------|
| 11. Recovery tank lid | 16. Rear cooling fan |
| 12. Push handle | 17. Dual power cords |
| 13. Drain valve | 18. 12" rear wheels |
| 14. Auto-fill | 19. Latches (x2) |
| 15. Auto pump-out | 20. Recovery tank |

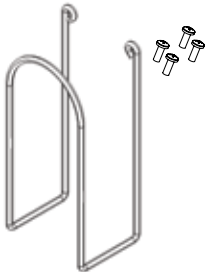
M-16 ITEMS INCLUDED



H110 Cuff-Lynx™
2" Hose Adapter



H141 Cuff-Lynx™
2" Hose Reducer to 1.5"



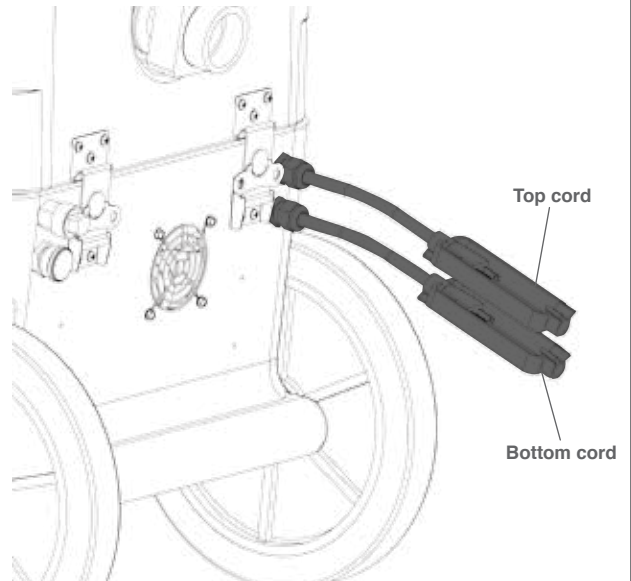
H375 Hose Hanger
(4) screws



H226 Drain Elbow

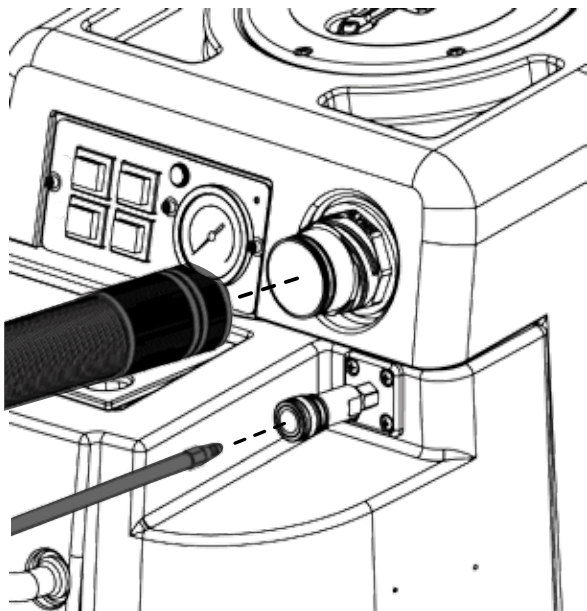
M-16 DUAL CORDS

Top cord: Plug into power Vacuum 1 & 2.
Bottom cord: Plug into power Pump & Pump-out.



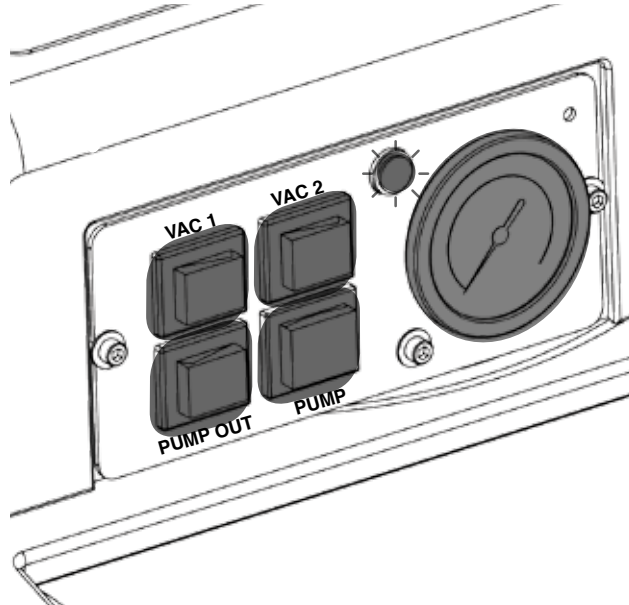
Plug each of the two power cords into two separate, 20A grounded wall outlets. The amber light indicator on the switch plate will illuminate when cords are plugged into two separate circuits.

M-16 VAC/SOL HOSE CONNECTIONS



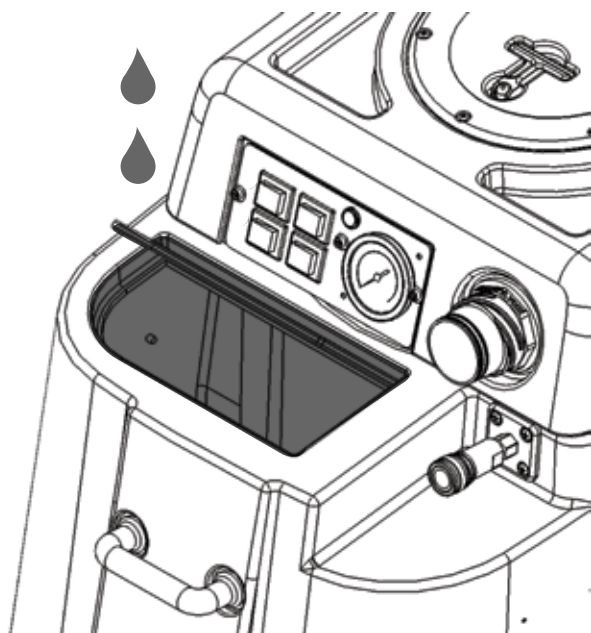
Before turning on switches, connect hoses to the extractor and a wand or tool. Attach a solution hose to the front QD, the other end to the tool. Attach a vacuum hose to the tool, the other to the front Cuff-Lynx™ vacuum hose port. Just twist into place.

M-16 SWITCHES & PRESSURE GAUGE



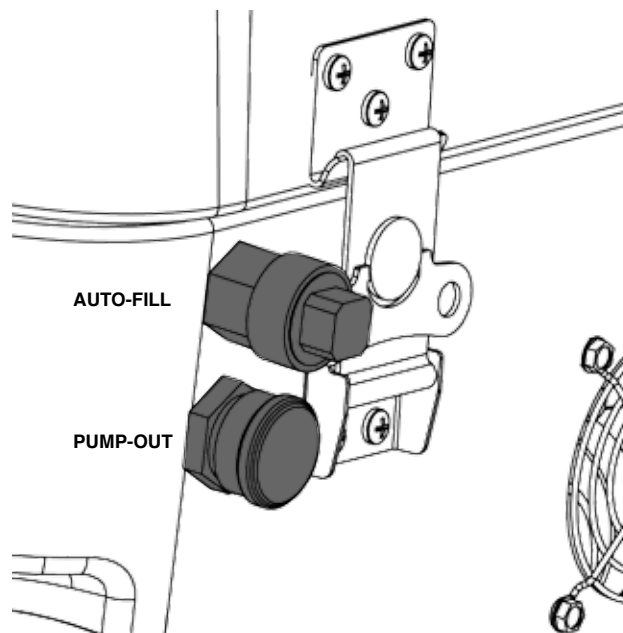
Switches and Pressure Gauge are located on the plate in front of the machine. The Amber light left of the Pressure Gauge will illuminate when cords are plugged into two separate circuits. To use vacuums, turn on Vac 1 and Vac 2 switches. To use Pump, turn on Pump switch. The Pressure Gauge displays the water pressure as PSI. To use Pump-out feature, turn on Pump-out Switch.

M-16 FILL SOLUTION TANK



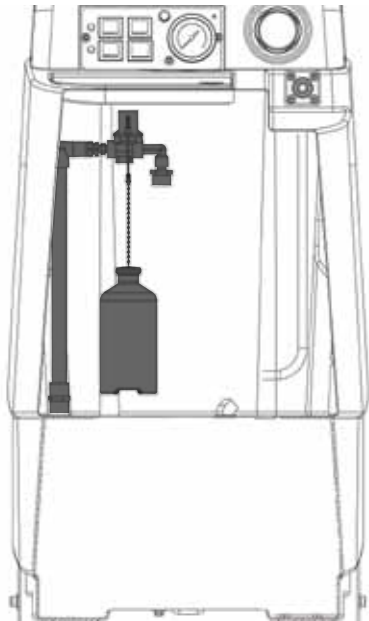
If not using the Auto-fill feature, lift the solution tank lid and manually fill the tank.

M-16 AUTO-FILL & PUMP-OUT



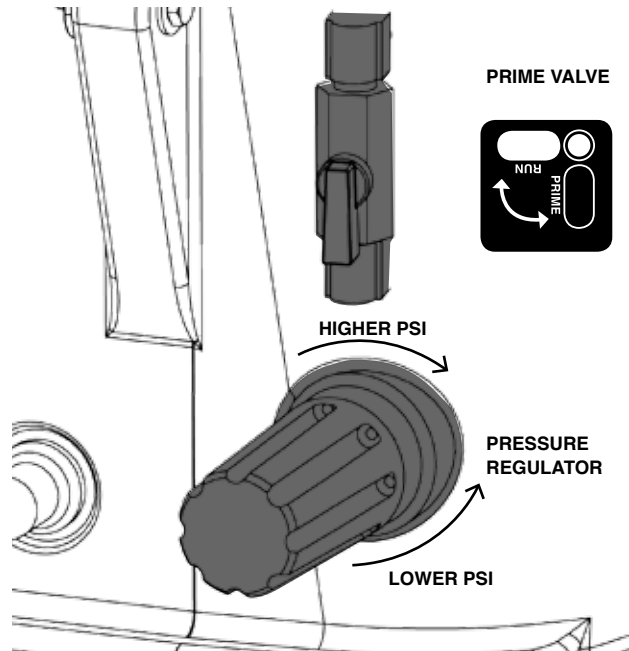
If using Auto-fill and Pump-out, connect one end of a 1/2 inch garden hose to the top hose inlet in back of the machine, the other end to a faucet. Add water pressure by turning on faucet. Attach a second 1/2 inch garden hose to the bottom hose inlet, and place the other end in a location where dirty water can drain.

M-16 AUTO-FILL & FLOAT



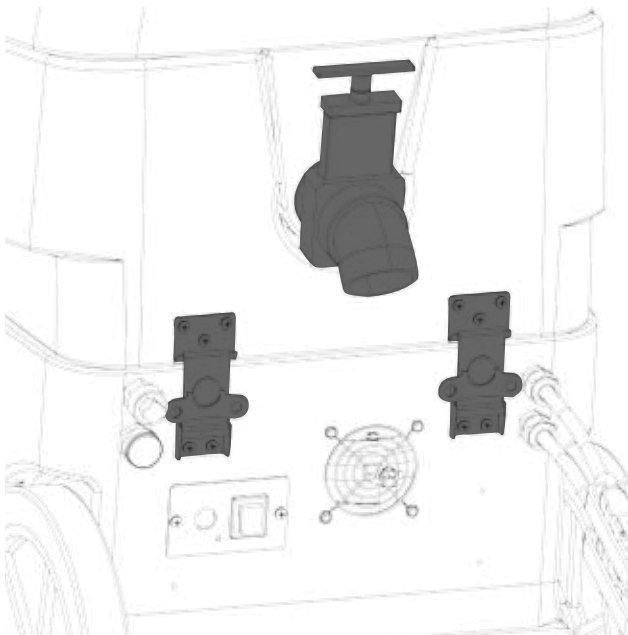
After attaching a garden hose to the Auto-fill inlet, water will fill the tank to a predetermined level until stopped by the float. As water is used and the level drops, water will once again enter the tank, and be stopped again by the float when maximum level is reached. With each new job, check to make sure float stops water after the first fill.

M-16 PRIME VALVE & PRESSURE REGULATOR



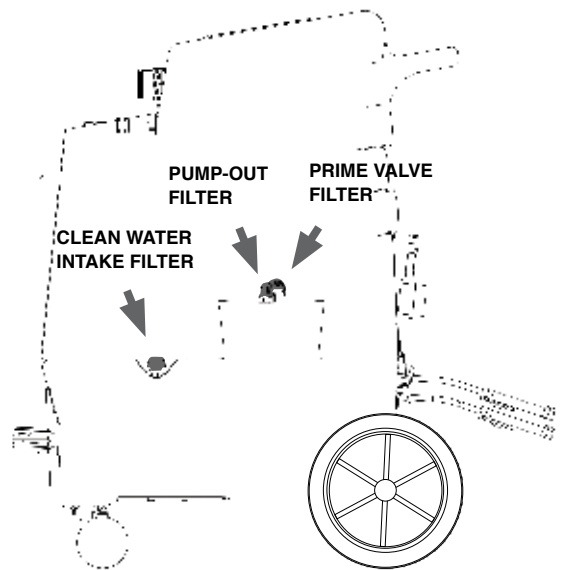
Prime the pump by turning the valve to the Prime position for 30 seconds, then turn horizontally to the Run position. Turn the Pressure Regulator to the left to decrease the water pressure. Turn the pressure regulator to the right to increase the water pressure. Monitor pressure while adjusting, using Pressure Gauge on Switch Panel.

M-16 DRAIN VALVE & LATCHES

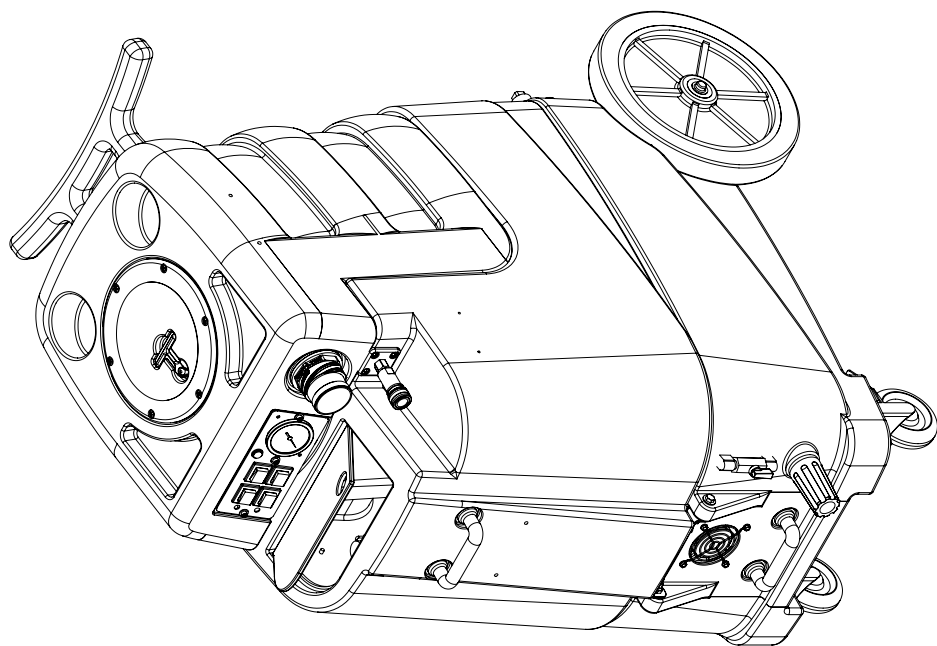


You can drain the recovery tank by using the Drain Valve. When not using the Auto Pump-out, you can drain the recovery tank by using the Drain Valve. When the tank is full, an internal ball float will automatically shut off the vacuum. Attach the 45° drain elbow to the drain spout, and lift up the Drain Valve to empty the tank. Latches are located in the back to open tank for internal repairs.

M-16 FILTER MAINTENANCE



To clean the internal filters, lift solution lid and/or remove recovery tank lid, reach in and twist off. Rinse with clean water and replace.



ITEM NO.	PART NO.	DESCRIPTION	QTY.	MSRP
71	B115	ripple, 1/2" x 1/4" npt, m x m	1	\$23.99 ea
72	H299	washer, 1 1/16" id x 1-1/2" od x .075, s/s	11	\$0.99 ea
73	P708	sol tank, m series	1	\$210.99 ea
74	G212	cover, sol tank (m-series)	1	\$12.99 ea
75	G052	washer, buna 1-1/8" od x 3/16" id	6	\$1.99 ea
76	H378	bracket, front hinge, sp/fb	1	\$8.99 ea
77	H213	washer, 1/4" lock, s/s	4	\$0.99 ea
78	H201	bolt, 1/4-20 x 1/2", hex head, zinc	2	\$0.99 ea
79	H204	bolt, 1/4-20 x 1-3/4", hex head, s/s	2	\$0.99 ea
80	B216	nipple, brass, 3/8" x close	2	\$1.99 ea
81	B130	45 deg, street elbow, brass, 1/4" male NPT	2	\$5.49 ea
82	B119A	filter, strainer, 1/2"	1	\$6.49 ea
83	B102	qd. brass, 1/4" f	1	\$17.99 ea
84	H484	plate, mounting, QD	1	\$4.99 ea
85	AH195	sol. hose, 5/7 x 1/4"	1	\$37.99 ea
86	H215	nut, hex, 1/4-20, s/s	2	\$0.99 ea
87	H203	bolt, 1/4-20 x 1-1/4", hex head, s/s	2	\$0.99 ea
88	H389	screw, #10-32 x 1/2" SHCS, alloy	3	\$0.99 ea
89	H412	washer, #8 flat, s/s	3	\$0.99 ea
90	E515	switch, rocker, 2 position	4	\$13.99 ea
91	E512B	light, indicator, 125v (amber)	1	\$9.99 ea
92	H308D	gauge, pressure, 2000 PSI	1	\$38.99 ea
93	H337	plate, switch, sp. 4 hole w/gauge	1	\$8.99 ea
94	P709	vac tank, m series	1	\$243.99 ea
95	H390A	bracket, "L" (all extractors)	2	\$6.99 ea
96	H770	bolt, 1/4-20 x 1/2" serrated hex flange, zinc	4	\$0.99 ea
97	H333	mesh filter, auto dump, 1/2" npt	1	\$9.99 ea
98	B236	elbow, brass, 90 deg, 1/2" barb x 3/8" fpt	1	\$14.49 ea
99	B119	filter, strainer, 1/4"	1	\$3.99 ea
100	B106	nipple, brass, 1/4" x close	1	\$3.49 ea
101	H135	Cuff-Lynx, 2" m cuff x 2" mpt	1	\$3.99 ea
102	G002	gasket, com fitting polyethylene, 2.35" OD, 1.90" ID	1	\$6.49 ea
103	A926	elbow, inlet assembly, 2"	1	\$15.99 ea
104	H225	valve, drain, 1-1/2"	1	\$10.99 ea
105	P685	inlet, 2"	1	\$6.99 ea
106	P684	adapter, pvc 2, final x final	1	\$7.99/ft
107	P682	pipe, pvc, 2"	1	\$1.49 ea
108	F726	elbow, 2" float	1	\$18.49 ea
109	H490	float, 2", ball style	1	\$11.99 ea
110	G091	gasket, 7", vac lid	1	\$36.99 ea
111	G090	lid, vac tank, black, 7"	1	\$36.99 ea
112	H304	screw, #8 x 5/8 Phillips, s/s	6	\$0.99 ea

ITEMS NOT SHOWN

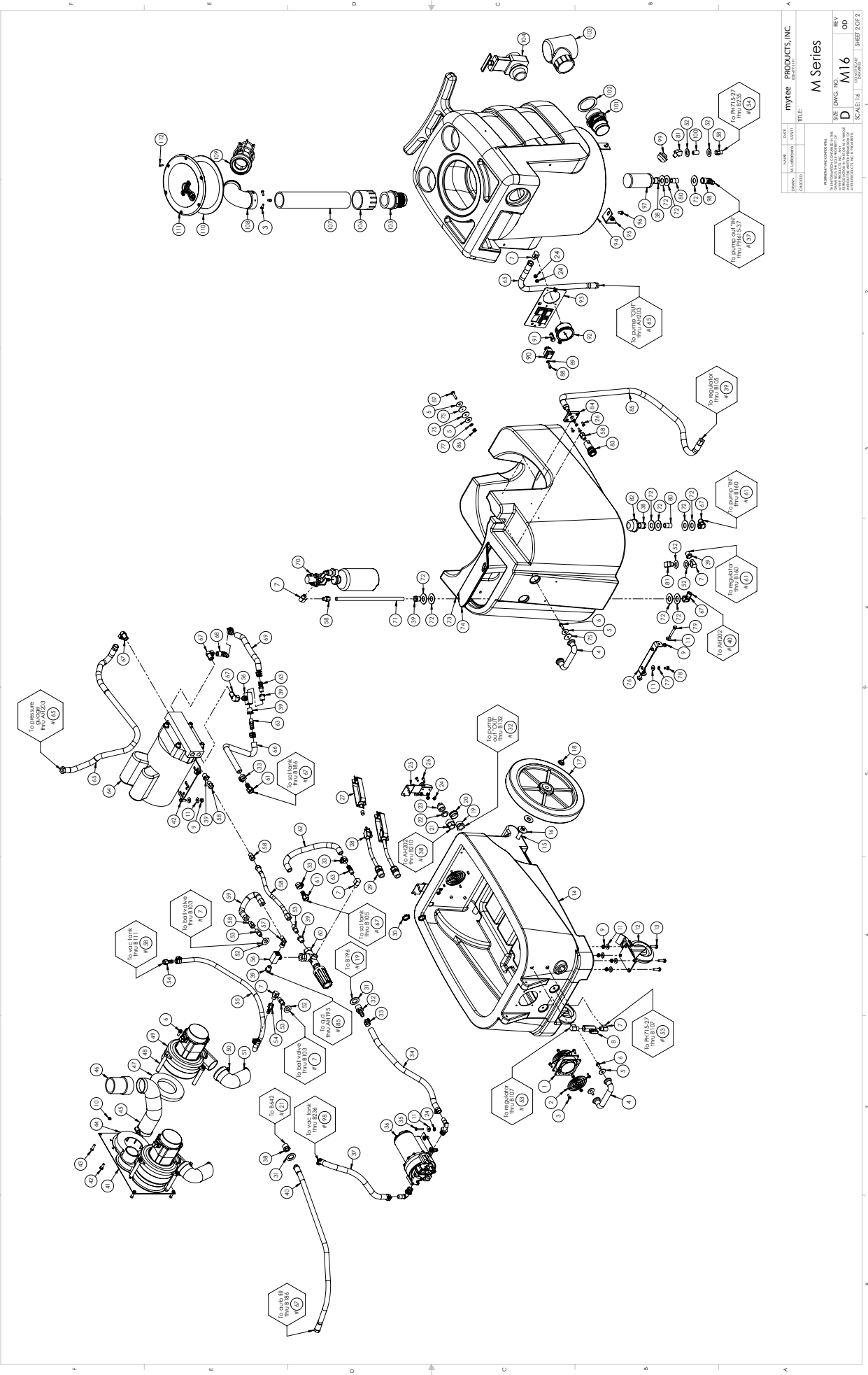
PART NO	DESCRIPTION	QTY	MSRP
G085	gasket, ship, 3/4" x 3/6" x 1/8"	2	\$4.99 ea
E564	controller, circuit light	1	\$62.49 ea
G010	filter, bag, vac tank, draw string	1	\$9.99 ea
H375	hanger, wire formed, hose	1	\$10.99 ea

ITEM NO.	PART NO.	DESCRIPTION	QTY.	MSRP
1	C317	fan, cooling, 115V	1	\$21.49 ea
2	H343	guard, cooling fan, wire	3	\$2.99 ea
3	H436	screw, #10 x 5/8" hex head zinc	15	\$0.99 ea
4	H485	handle, breeze and dx	2	\$6.99 ea
5	H211	washer, 1/4" id x 1" od, flat, s/s	8	\$0.99 ea
6	H768	bolt, 1/4-20 x 3/4" serrated hex flange, zinc	10	\$0.99 ea
7	B103	elbow, brass, 90 deg, 1/4" mpt x 1/4" fpt	7	\$4.49 ea
8	B656	ball valve, 1/4"	1	\$13.49 ea
9	H216	nut, lock, 1/4-20 nylon insert	14	\$0.99 ea
10	H458	nut, lock, 10-32, thin pattern	3	\$0.99 ea
11	H210	washer, 1/4" flat, s/s	24	\$0.99 ea
12	H668	coaster, 4", black hub & gray head	2	\$19.49 ea
13	H342	bolt, 1/4-20 x 1" hex head, s/s	8	\$0.99 ea
14	P707	base, m series	1	\$196.99 ea
15	H232	axle, 19.75" x .50"	1	\$9.99 ea
16	H254	washer, axle, cut 1/2" id	4	\$0.99 ea
17	H251	wheel, 12"	2	\$41.99 ea
18	H219	cap, axle, 1/2"	2	\$0.99 ea
19	B196	fitting, brass, 3/4" npt x 1/2" fpt	1	\$5.99 ea
20	B120	cap, brass, 3/4", garden hose	1	\$1.49 ea
21	B642	swivel, brass, 3/4" fgh x 1/2" fpt	1	\$5.49 ea
22	B640	filter, 60 mesh, garden hose	1	\$1.99 ea
23	B221	plug, brass, 3/4", garden hose	1	\$3.99 ea
24	H273	nut, kep, #10-32 zinc	14	\$0.99 ea
25	H486	latch, front breeze	2	\$13.99 ea
26	H250	screw, 10-32 x 1/2" phill pan	18	\$0.99 ea
27	G131	connector, cord lock	2	\$4.99 ea
28	E550	power cord, digital, 30', 12/3, black	2	\$11.49 ea
29	H220	fitting, strain relief, cord	2	\$3.19 ea
30	H221	nut, lock, 1/2" steel	2	\$1.99 ea
31	H191	washer, zinc, 1.625 x .847 x .078	1	\$9.99 ea
32	B132	adapter, brass, 1/2" barb x 1/2" mpt	1	\$9.49 ea
33	H347	clamp, hose, 5/16-29/32	24	\$1.99 ea
34	PH615-17	sol hose, kuriama, 1/2"	1	\$8.99/ft
35	H222	screw, #10-32 x 1-1/4" phill pan head, zinc	4	\$0.99 ea
36	C381	pump out, 115v	1	\$187.49 ea
37	PH615-37	sol hose, kuriama, 1/2"	1	\$8.99/ft
38	B210	bushing, brass, 1/2" mpt x 3/8" fpt, hex	3	\$2.49 ea
39	B105	bushing, brass, 3/8" mpt x 1/4"	7	\$3.19 ea
40	AH202	hose, pulse, 3/8" x 3/4" OAL	1	\$39.99 ea
41	H601	plate, manifold, parallel	1	\$13.49 ea
42	H202	bolt, 1/4-20 x 3/4" hex head, s/s	10	\$0.99 ea
43	H188	screw, 1/4-20 x 1, phill flat thread, black oxide	3	\$0.99 ea
44	P750	manifold, dual vac, parallel	1	\$15.99 ea
45	PH628-20	vac hose, 2", black, wire reinforced	1	\$8.99/ft
46	H544	cuff hose, 2 X 2, wire reinforced	1	\$12.49 ea
47	G004	gasket, vacuum motor	2	\$8.99 ea
48	H500	vac support, 2 stage, 3-1/8"	6	\$3.99 ea
49	C310	vac motor, 2 stage high performance	2	\$103.99 ea
50	H217	clamp, hose, 2-1/4" dia	3	\$1.49 ea
51	G059	exhaust boot, plastic	2	\$4.99 ea
52	H212	washer, 9/16" id x 1" od, flat, s/s	6	\$0.99 ea
53	B107	nipple, brass, 1/4" m, hex	3	\$3.19 ea
54	B235	adapter, brass, 3/8" barb x 1/4" fsw	2	\$7.99 ea
55	PH715-27	sol hose, kuriama, 3/8"	1	\$7.99/ft
56	B242	tee, brass, 3/8" fpt x 3/8" mpt x 3/8" fpt	2	\$13.99 ea
57	B652	elbow, brass, 90 deg, 3/8" mpt x 1/4" mpt	1	\$8.49 ea
58	B111	adapter, brass, extender, 1/4" mpt x 1/4" fpt, hex	6	\$3.49 ea
59	AH104	sol hose, 3/8" x 10'	2	\$47.99 ea
60	H306B	unloader, 1200 psi	1	\$126.49 ea
61	B160	adapter, brass, 1/2" barb x 3/8" fsw, ball end	2	\$3.49 ea
62	PH615-22	sol hose, 1/2" kuri 100psi	1	\$8.99/ft
63	B644	adapter, brass, 1/2" barb x 1/4" mpt	3	\$2.49 ea
64	C359A	pump, 1200 psi	1	\$708.99 ea
65	AH203	hose, pulse, 3/8" x 3/4", OAL	2	\$47.99 ea
66	PH615-34	sol hose, 1/2" kuri 100psi	1	\$8.99/ft
67	B186	elbow, brass, 90 deg, 3/8" mpt x 3/8" fmp	5	\$8.99 ea
68	B172	elbow, brass, 90 deg, 1/2" barb x 3/8" mpt	1	\$9.49 ea
69	PH615-8	sol hose, 1/2" kuri 100psi	1	\$8.99/ft
70	H541	valve, float, out/off	1	\$124.99 ea

Order parts at: <http://www.mytee.com/products/product.php?id=M-16>

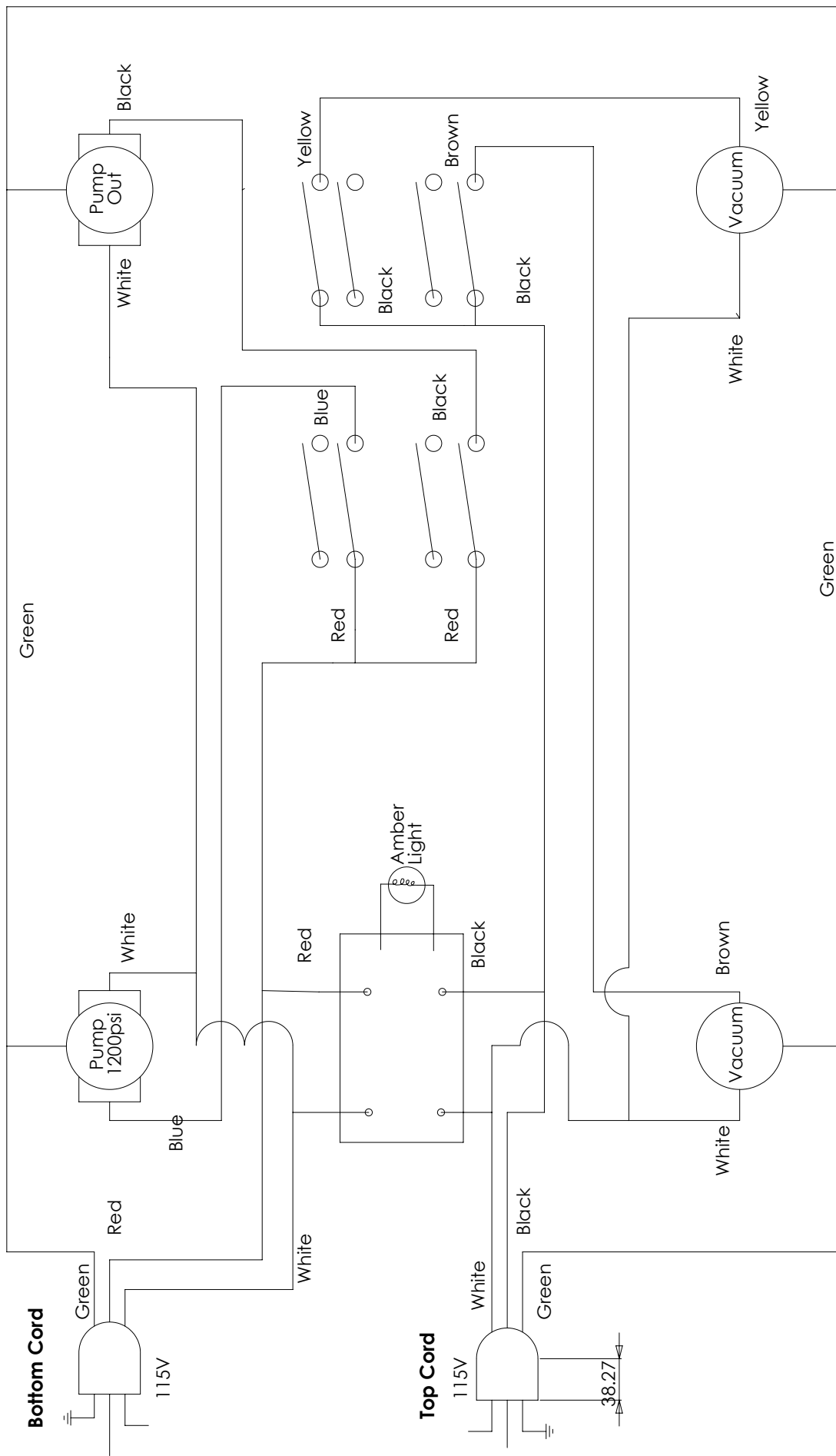
Part prices are subject to change.

M-16 PARTS & PRICING



NAME	mytee	PRODUCTS, INC.
DATE		
DESIGNED BY		
CHECKED BY		
TITLE	M Series	
SIZE	DWG. NO.	REV.
	D	M16
		OD
		SCALE 1:1
		SHEET 2 OF 2

M-16 WIRING DIAGRAM



NAME	DATE	mytee	PRODUCTS, INC.
DRAWN	9/10/2018	JACOB	88374713
CHECKED			
TITLE: M Series			
SIZE	DWG. NO.	REV	
D	M16		
SCALE: 1:2	DRAWING	SHEET 1 OF 1	2

mytee PRODUCTS, INC.
 1800 W. 10TH AVENUE
 DENVER, CO 80202
 PHONE: 303.733.1111
 WWW.MYTEEPRODUCTS.COM

General information

Dear Customer:

Congratulations on the purchase of your new M-Series™ Extractor. As you are already aware, the scene of the equipment world is becoming more high tech, and we at Mytee Products Inc. strive to keep you on the cutting edge with superior quality and technology.

Keep in mind that the M-Series™ Extractor is a machine, so neglect or abuse will cause unnecessary damage and void the warranty. However with simple maintenance the M-Series™ will give quality performance for many years to come.

If warranty questions arise, please consult user manual or get in touch with your distributor. If you have questions about maintenance, replacing parts or ordering parts, please call an authorized Mytee Products Inc. Service Center. To see an updated list, visit our website at www.mytee.com

Before you begin using, please read your manual thoroughly.

Sincerely,
Mytee Customer Care Dept.

Grounding Instructions

This machine must be grounded. If it should malfunction or breakdown, grounding provides a path of least resistance for electrical shock. This machine is equipped with a cord having an equipment-grounding conductor and grounding plug. The plug must be plugged into an appropriate outlet that is properly installed in accordance with all local code and ordinances. Do not remove ground pin; if missing, replace plug before use.



DANGER

Improper connection of the equipment-grounding conductor can result in a risk of electric shock. Check with a qualified electrician or service person if you are in doubt as to whether the outlet is properly grounded. Do not modify the plug provided with the machine. If it will not fit the outlet, have a proper outlet installed by a qualified electrician.

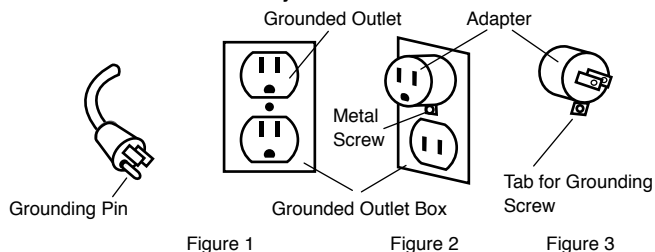
This appliance is for use on a nominal 120-volt circuit, and has a grounding plug that looks like the plug illustrated in Figure 1 below. A temporary adapter illustrated in Figures 2 and 3 may be used to connect this plug to a 2-pole receptacle as shown in Figure 2 if a properly grounded outlet is not available. The temporary adapter should be used only until a properly grounded outlet (Figure 1) can be installed by a qualified electrician. The green colored rigid ear, tab or the like extending from the adapter must be connected to a permanent ground such as a properly grounded outlet box cover. Whenever the adapter is used, it must be held in place by a metal screw. Grounding adapters are not approved for use in Canada.

Replace the plug if the grounding pin is damaged or broken.

The Green (or GreenYellow) wire in the cord is the grounding wire. When replacing a plug, this wire must be attached to the grounding pin only.

DO NOT use extension cords.

Please Note for America use only



Parts and Service

Repairs, when required, should be performed by Mytee service personnel or Mytee authorized Service Center using Mytee original replacement parts and accessories. Call Mytee for repair parts or service. Please specify the Model and Serial Number when discussing your machine.

Name Plate

The Model and Serial Number of your machine are shown on the name plate located on the inside of the machine. This information is needed when ordering repair parts for the machine. Use the space provided on the front cover to note the Model and Serial Number of your machine for future reference.

Unpacking the Machine

When the machine is delivered, carefully inspect the shipping carton and the machine for damage. If damage is evident, save the shipping carton so that it can be inspected by the carrier that delivered it. Contact the carrier immediately to file a freight damage claim.

Caution and Warnings

Symbols

Mytee uses the symbols below to signal potentially dangerous conditions. Always read this information carefully and take the necessary steps to protect personnel and property.



DANGER

Is used to warn of immediate hazards that will cause severe personal injury or death.



WARNING

Is used to call attention to a situation that could cause severe personal injury.



CAUTION

Is used to call attention to a situation that could cause minor personal injury or damage to the machine or other property. When using an electrical appliance, basic precautions should always be followed, including the following: Read all instructions before using this machine. This product is intended for commercial use only.



WARNING

To reduce the risk of fire, electrical shock, or injury:

1. Read all instructions before using equipment.
2. Use only as described in this manual. Use only manufacturer's recommended attachments.
3. Always unplug power cord from electrical outlet before attempting any adjustments or repairs.
4. Do not unplug by pulling on cord. To unplug, grasp the plug, not the cord.
5. Do not pull or carry by cord. Do not close a door on cord or pull cord around sharp edges or corners.
6. Do not run appliance over cord. Keep cord away from heated surfaces.
7. Do not use with damaged cord or plug. If cord is damaged, repair immediately.
8. Do not use outdoors or on wet surfaces and or standing water.
9. Always unplug or disconnect the appliance from power supply when not in use.
10. Do not allow to be used as a toy. Close attention is necessary when used by or near children.
11. Do not use in areas where flammable or combustible material may be present.
12. Do not leave the unit exposed to harsh weather elements. Temperatures below freezing may damage components and void warranty.
13. Use only the appropriate handles to move and lift unit. Do not use any other parts of this machine for this purpose.
14. Keep hair, loose clothing, fingers, and all parts of the body away from all openings and moving parts.
15. Use extra care when using on stairs.
16. To reduce the risk of fire or electric shock, do not use this machine with a solid-state speed control device.
17. The voltage and frequency indicated on the name plate must correspond to the wall receptacle supply voltage.
18. When cleaning and servicing the machine, local or national regulations may apply to the safe disposal of liquids which may contain: chemicals, grease, oil, acid, alkalines, or other dangerous liquids.
19. Do not leave operating unattended.

Pre-Operation

1. Remove furniture and other items from the area you are going to clean.
2. Vacuum area and remove debris.
3. Protect cabinets, walls and painted surfaces with drop cloths or plastic.
4. Inspect power cord for damage.

Operating Instructions

1. Fill the solution tank.
2. If using the auto-fill and pump-out, connect one end of a ½" garden hose to the top hose inlet in back of the machine, the other end to a faucet. Attach a second ½" garden hose to the bottom hose inlet, and place the other end in a location where dirty water can drain.
3. If manually filling and emptying the tank, keep both back hose inlets securely capped.
4. In front, attach one end of a solution hose from a wand or other tool to the front quick disconnect.

5. Attach one end of the vacuum hose from a wand or other attachment to the front Cuff-Lynx™ vacuum hose port.
6. Plug in power cords.
 - M-3 – Plug the top power cord into a 20A grounded wall outlet to turn on Vac 1, Pump and Heater 1. Using a second 20A grounded wall outlet on a separate circuit, plug in the bottom cord to turn on Vac 2, Pump-out and Heater 2. The amber light indicator on the switch plate will illuminate brightly when cords are plugged into two separate circuits. Do not use extension cords longer than 50 feet.
 - M-5 – Plug the top power cord into a 20A grounded wall outlet to turn on Vac 1 and Pump. Using a second 20A grounded wall outlet on a separate circuit, plug in the bottom cord to turn on Vac 2 and Pump-out. The amber light indicator on the switch plate will illuminate brightly when cords are plugged into two separate circuits. Do not use extension cords longer than 50 feet.
 - M-12 – Plug the top power cord into a 20A grounded wall outlet to turn on Vac 1 and 2, and Pump-out. Using a second 20A grounded wall outlet on a separate circuit, plug in the bottom cord to turn on the Pump-Mode for carpet and tile. The amber light indicator on the switch plate will illuminate brightly when cords are plugged into two separate circuits. Do not use extension cords longer than 50 feet.
 - M-16 – Plug the top power cord into a 20A grounded wall outlet to turn on Vac 1 and Vac 2. Using a second 20A grounded wall outlet on a separate circuit, plug in the bottom cord to turn on Pump and Pump-out. The amber light indicator on the switch plate will illuminate brightly when cords are plugged into two separate circuits. Do not use extension cords longer than 50 feet.
7. Prime the pump by turning the valve to the Prime position and turning on the pump for 30 seconds, then turn left to the Run position.
8. Turn on vacuum and pump switches. The Amber light left of the Pressure Gauge will illuminate when cords are plugged into two separate circuits.
 - M-3 - To use vacuums, turn on Vac 1 and Vac 2 switches. To use Pump, turn on Pump switch. Heater switch has three positions: Off (middle); 1,000 watts using one heater (left); and 2,000 watts using two heaters (right). Red lights on panel display indicate watts selected: one light = 1,000 watts; two lights = 2,000 watts; no lights = heaters is off.
 - M-5 – Turn on Vac 1 and Vac 2 switches. If using Pump-out feature, turn on Pump-out switch. To use pump, turn on the Pump switch.
 - M-12 – Turn on Vac 1 and Vac 2 switches. If using Pump-out feature, turn on Pump-out switch. In carpet cleaning mode, a 220 PSI pump and solution heater are used. The 220 PSI is not adjustable. Adjusting the regulator in this mode will not affect the pump pressure. Two red lights left of switches will appear when Carpet mode is activated. In Tile cleaning mode, a 1200 PSI pump will be used. Pump pressure is set using the regulator on the front of the unit. There is no heat in Tile mode. It is not possible to run the heater and 1200 PSI pump simultaneously.
 - M-16 – Turn on Vac 1 and Vac 2 switches. To use Pump-out feature, turn on Pump-out switch. To use pump, turn on Pump switch.
9. To adjust water pressure, turn the pressure regulator, located on the lower front of the extractor, to the right to increase water pressure. Turn to the left to decrease water pressure. Level will be visible on the pressure gauge.
10. Begin cleaning. Make two dry passes to every wet pass. Work away from cords to avoid damage. To clean heavily soiled areas, repeat cleaning from different directions.
11. Use a foam control solution in the recovery tank to prevent vacuum motor damage and check for foam build-up in recovery and solution tanks.
12. When not using the Auto Pump-out and using the recovery tank, an internal ball float will automatically stop the vacuum when tank fills. Empty the tank by using the rear drain valve.
13. Relieve water pressure from the solution hose before disconnecting it, squeeze the tools trigger five seconds after turning the power switches off.
14. Once machine is off unplug power cords. Remove solution and vacuum hoses. To empty the recovery tank, if Pump-out is not used, attach the 45° drain elbow to the drain sprout in back. Lift up the dump valve to empty the tank.
15. To empty remaining water in the solution tank, turn the Prime Valve to the right and turn on pump to move water into the recovery tank. Empty recovery tank.

After Use

1. Before storing machine, drain, rinse and dry tanks and vacuum hose of water and solution.
2. Store in a dry area in the upright position.
3. Open recovery tank cover to promote air circulation.
4. Make sure the machine and solution system are completely drained and dry.

Trouble Shooting

There is no power.

1. Plug machine in proper outlet.
2. Check circuit breaker. Reset circuit breaker, other items should not run on the same circuit as the machine. Must be two 20-amp circuit outlets.

Pump does not work properly

1. Snap quick disconnects firmly together.
2. Check solution tank; may be empty.

3. Jets clogged, remove jet and flush clean.
4. Filters clogged, remove filters and rinse clean with water.
5. Heater is blocked; flush out with Mytee's® System Maintainer.
6. If brass check valve is stuck, replace valve.
7. Check pump wire. May need to reconnect wire.
8. Switch plate may need to be replaced.
9. If pump motor brushes are worn, replace pump.

M-3 or M-12 heater does not work properly

1. If sensor mounted on the heater has popped, reset sensor by pushing in button.
2. Heating element may need to be replaced.

Vacuum motor does not work properly

1. Check that hose is tightly connected.
2. Close drain hose valve completely.
3. Secure the vacuum tank tightly.
4. If ball float is shut off, empty vacuum tank of all wastewater.
5. Make sure ball float is firmly installed on the elbow.
6. If water is coming out of the vacuum motor, use a low foaming detergent.
7. Clean upholstery tool or floor wand jets.

Maintenance Schedule

Latches are located in back to open tank for internal maintenance. To keep machine in good working condition, follow machine's daily and weekly maintenance procedures. Check valves and relief valves should be replaced annually.

Maintenance item	Daily	Once a week
Flush pump-out with clear water.	x	
Clean and inspect tanks.	x	
Clean and inspect hoses.	x	
Check and clean internal filters by twisting off, rinsing with clean water and replacing.	x	
Check power supply cable.	x	
Clean machine with all-purpose cleaner and cloth.	x	
Check spray nozzles.		x
Flush solution system with Mytee® System Maintainer.		x
Remove and float shut-off screen from tank and clean.		x
Simply pull off.		
Inspect vacuum hoses for holes and loose cuffs.		x
Inspect spray pattern for clogging. If clogged, remove spray tips and soak them in a recommended liquid neutralizer for up to six hours. To remove spray tip, twist spray tip body counter-clockwise.		x
Lubricate wheels with water resistant oil.		x
Inspect machine for water leaks and loose hardware.		x

FAQs

Q: How much do the M-Series™ Extractors weigh and what are dimensions?

A: M-3:

Machine Weight – 147.2 lbs.

Shipping Weight – 179.2 lbs.

Machine Dimensions – 35 1/4" x 19 1/2" x 43"

Shipping Dimensions – 37 1/4" x 21" x 50 3/4"

M-5:

Machine Weight – 141 lbs.

Shipping Weight – 172.6 lbs.

Machine Dimensions – 35 1/4" x 19 1/2" x 43"

Shipping Dimensions – 37 1/4" x 21" x 50 3/4"

M-12:

Machine Weight – 168 lbs.

Shipping Weight – 200 lbs.

Machine Dimensions – 35 1/4" x 19 1/2" x 43"

Shipping Dimensions – 37 1/4" x 21" x 50 3/4"

M-16:

Machine Weight – 152 lbs.

Shipping Weight – 183.6 lbs.

Machine Dimensions – 35 1/4" x 19 1/2" x 43"

Shipping Dimensions – 37 1/4" x 21" x 50 3/4"

Q: What comes standard with M-Series™ Extractors?

A: Hose hanger with four screws, two Cuff-Lynx™ Model Nos.: H141 Reducer and H110 Coupler Swivel and 45° drain elbow.

Q: Does Mytee® recommend tools for this machine?

A: All upholstery tools, wands and Spinners® can be used with the M-Series™.

General information

Q: Where do I plug the machine in?
A: Into two separate 20A grounded circuits.

Q: How will I know when I find two separate circuits?
A: The amber indicator light on the switch plate will illuminate when the power cords are plugged into two separate circuits.

Q: Are pumps rebuildable for the M-Series™?
A: For a 1200 PSI pump, available rebuildable kits are: RK0034 seal & piston kit, RL0038 valve & o-ring kit, and RL0033 cam & bearing kit. For a 500 PSI pump, available rebuildable kits are: RK0022 seal & piston kit, RL0023 valve & o-ring kit and RK0024 cam & bearing kit.

Q: Is there anything I can do to increase the expected life of my machine?
A: Running the vacuum motors with the tank empty and lid off will allow excess moisture in the vacs to dry off. You should also run Mytee's® System Maintainer through the system to keep the hoses, pump, and heater clean and free of debris.

Warranty

MYTEE LIFETIME LIMITED WARRANTY POLICY

Mytee Products, Inc. endeavors to provide high quality products and product support to its customers and therefore backs up all of its new products purchased from Mytee Products Inc. ("Mytee") or any authorized Mytee distributor/service center with this lifetime limited warranty. This limited warranty begins on the date of the customer's purchase and is valid and available to the original purchaser with proof of purchase, and is not transferable. Mytee's products are for commercial use only and are not intended for personal, family or household uses.

HOUSING LIMITED LIFETIME WARRANTY: Mytee warrants for life that its rotationally-molded housings will be free from manufacturing defects. This warranty covers the cost of replacement or repair only and does not cover shipping or labor costs.

WEAR PARTS 90-DAY LIMITED WARRANTY: Mytee will replace all wear parts for 90 days from the date of original purchase. "Wear parts" are items which wear out as a result of usage or the passage of time and are consumed despite attempts to maintain them, such as gaskets, wheels, brass, cords, wires, electrical terminals, hoses, switches, thermostats, plastisol parts, filters, bearings, brushes, solenoids, o-rings, bulbs, heating elements, castors, or other parts deemed wear items in Mytee's sole discretion. This warranty covers the cost of replacement only and does not cover shipping or labor costs.

HOWEVER, OTHER THAN SET FORTH HEREIN, MYTEE GIVES NO WARRANTY, EXPRESS OR IMPLIED, AS TO DESCRIPTION, QUALITY, MERCHANTABILITY, FITNESS FOR ANY PARTICULAR PURPOSE, PRODUCTIVENESS, INFRINGEMENT, OR OTHER MATTER, OF ANY GOODS WHICH MYTEE SHALL SUPPLY. THERE ARE NO WARRANTIES WHICH EXTEND BEYOND THE DESCRIPTION ON THE FACE HEREOF. MYTEE SHALL IN NO WAY BE RESPONSIBLE FOR THE PROPER USE AND APPLICATION OF THE GOODS. MYTEE NEITHER ASSUMES NOR AUTHORIZES ANY OTHER PERSON TO ASSUME FOR MYTEE ANY OTHER LIABILITY IN CONNECTION WITH THE SALE OF MYTEE'S GOODS. THIS LIMITED WARRANTY POLICY MAY BE CHANGED OR WITHDRAWN BY MYTEE AT ANY TIME WITHOUT NOTICE.

LIMITATION OF DAMAGES: THE REMEDY OF REPLACEMENT OR REPAIR OF ANY DEFECTIVE GOODS SHALL BE THE EXCLUSIVE REMEDY UNDER ANY WARRANTY MADE BY MYTEE, WHETHER EXPRESS OR IMPLIED. IN NO EVENT SHALL MYTEE BE LIABLE FOR ANY INCIDENTAL OR CONSEQUENTIAL DAMAGES, PROPERTY DAMAGES, OR PERSONAL INJURIES.

All limited warranties are void for, and Mytee does not warrant in any way, any product that evidences misapplication, improper installation, abuse, lack of maintenance, negligence in use or care, abnormal use, alteration of design, modification, use of incompatible or corrosive chemicals, use in a rental service, and/or servicing, installation of parts, or repairs by anyone other than Mytee or a Mytee authorized distributor or service center. Mytee may make changes in products it manufactures and markets at any time; these changes are made without obligation to change, retrofit, or upgrade any product previously sold or manufactured.

Mytee has no obligation to honor the limited warranties set forth herein unless the original purchaser, promptly upon discovering the warranty claim and prior to continuing to use the product, contacts Mytee or a Mytee authorized distributor or service center to describe the claim and to receive and follow instructions for documenting and resolving the claim. In addition, the purchaser must provide the product to which the claim applies to Mytee or a Mytee authorized distributor or service center for a thorough inspection. In addition, the purchaser must provide/return the product intact, unmodified, with all of its original parts.

If any provision or portion of this limited warranty policy is found to be unenforceable,

then the remaining provisions and portions shall remain valid and enforceable. If any provision or portion of this limited warranty policy is found to be limited by law, then that provision or portion shall be construed to make it effective within the bounds of law. For example, if there are legal limitations on the duration of warranties, the warranties made herein shall be construed to have the minimum duration required by law, or, if there are legal limitations of exclusion of remedies, the exclusions made herein shall be construed to apply to the fullest extent possible without violating the law.

The validity, construction and performance of this warranty policy shall be governed by the laws of the State of California, without respect to conflicts of laws principles. The exclusive jurisdiction of any legal action arising from or related to this warranty policy shall be in the State of California and no legal action shall be commenced elsewhere.

Return Material Authorization Procedure

It is the responsibility of any Authorized Service Center (ASC) or Distributor with written authorization to ensure the Customer's equipment is repaired as soon as possible. Only Mytee Products Inc. or its authorized dealers with written authorization, service centers, and agents may make warranty repairs on these products. All others do so at their own risk and expense.

The Distributor must follow Mytee Products, Inc. standard RMA procedure:

1. When a repair falls within the Warranty time period for a piece of equipment, the Distributor will fill out a RMA/Warranty claim form. This form will act as a repair order to replace any defective parts.
2. All defective parts must be returned to Mytee Products, Inc. with the RMA/claim form for evaluation at the customer's expense. This shipping is non-refundable. All warranty claims are subject to an evaluation by Mytee Products, Inc. to determine if warranty will be approved. Any credit for repair and/or parts will only be issued upon evaluation and approval from Mytee Products, Inc.
3. When Warranty is approved, the Distributor's account will be credited for the replacement part(s). Mytee Products, Inc. will ship the warranted replacement part(s) to the Distributor prepaid. If Warranty is denied the Distributor's account will not be credited for any parts sent for this claim.

NOTES



Mytee Products Inc.
13655 Stowe Dr.
Poway, Ca. 92064
www.mytee.com
PH 858.679.1191
FX 858.679.7814

© 2012 Mytee Products Inc.
Printed in the U.S.A.